

Item description/product images



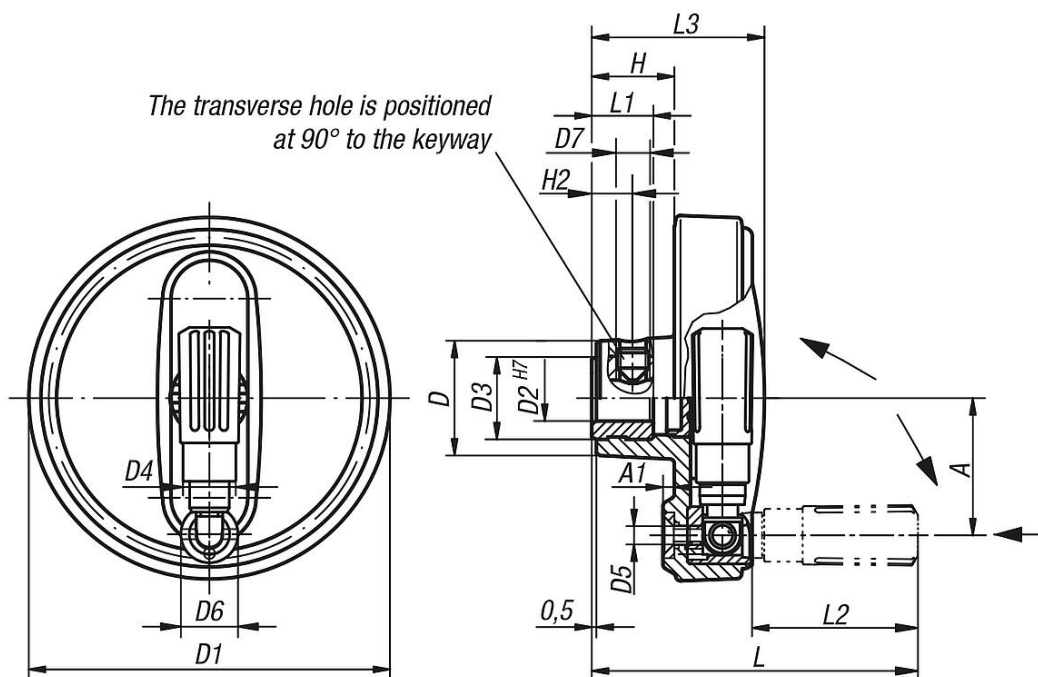
**Description**

**Material:**  
Black grey thermoplastic.

**Version:**  
Steel parts black oxidised.

**Note:**  
The hub cover is supplied unassembled.  
The handwheels can be secured using a transverse pin or by parallel key connection together with a DIN 6912 socket head screw and a DIN 7349 washer. Two actions must be made to bring the cylindrical safety grip into an operating position:  
- Swing the grip out up to the stop (90°).  
- Push the grip in an axial direction into the lock position.  
The pushed-in position is the most comfortable for cranking. The grip swings back automatically after releasing.  
Versions with transverse bore are secured using the ISO 4026 (DIN 913) grub screw. For assembly example, see 06262.

Drawings



Overview of items

**Handwheels with safety cylinder grip**

Order No.	Version	Version 2	Component material	D	D1	D2	D3	D4	D5	D6	D7	A	A1	H	H2	L	L1	L2	L3	B3	T
06265-108008	reamed hole	-	thermoplastic	25	80	8H7	19	14	M4	13	-	30	2,5	17,6	-	72,6	13	38	36,7	-	-

Overview of items

Order No.	Version	Version 2	Component material	D	D1	D2	D3	D4	D5	D6	D7	A	A1	H	H2	L	L1	L2	L3	B3	T
06265-108010	reamed hole	-	thermoplastic	25	80	10H7	19	14	M4	13	-	30	2,5	17,6	-	72,6	13	38	36,7	-	-
06265-108012	reamed hole	-	thermoplastic	25	80	12H7	19	14	M4	13	-	30	2,5	17,6	-	72,6	13	38	36,7	-	-
06265-210010	reamed hole	-	thermoplastic	28	100	10H7	19	16	M5	16	-	38	3	20,1	-	88,6	13	47,5	43,5	-	-
06265-210012	reamed hole	-	thermoplastic	28	100	12H7	19	16	M5	16	-	38	3	20,1	-	88,6	13	47,5	43,5	-	-
06265-312512	reamed hole	-	thermoplastic	35	125	12H7	25	20	M6	20	-	47,5	4	23,3	-	107,7	18,5	58,4	52,1	-	-
06265-312514	reamed hole	-	thermoplastic	35	125	14H7	25	20	M6	20	-	47,5	4	23,3	-	107,7	18,5	58,4	52,1	-	-
06265-312516	reamed hole	-	thermoplastic	35	125	16H7	25	20	M6	20	-	47,5	4	23,3	-	107,7	18,5	58,4	52,1	-	-
06265-416014	reamed hole	-	thermoplastic	45	160	14H7	25	25	M8	26	-	62	5,6	28	-	142	18,5	81,6	63,8	-	-
06265-416016	reamed hole	-	thermoplastic	45	160	16H7	25	25	M8	26	-	62	5,6	28	-	142	18,5	81,6	63,8	-	-
06265-10800802	reamed hole with slot	-	thermoplastic	25	80	8H7	19	14	M4	13	-	30	2,5	17,6	-	72,6	13	38	36,7	2	9
06265-10801003	reamed hole with slot	-	thermoplastic	25	80	10H7	19	14	M4	13	-	30	2,5	17,6	-	72,6	13	38	36,7	3	11,4
06265-10801204	reamed hole with slot	-	thermoplastic	25	80	12H7	19	14	M4	13	-	30	2,5	17,6	-	72,6	13	38	36,7	4	13,8
06265-21001003	reamed hole with slot	-	thermoplastic	28	100	10H7	19	16	M5	16	-	38	3	20,1	-	88,6	13	47,5	43,5	3	11,4
06265-21001204	reamed hole with slot	-	thermoplastic	28	100	12H7	19	16	M5	16	-	38	3	20,1	-	88,6	13	47,5	43,5	4	13,8
06265-31251204	reamed hole with slot	-	thermoplastic	35	125	12H7	25	20	M6	20	-	47,5	4	23,3	-	107,7	18,5	58,4	52,1	4	13,8
06265-31251405	reamed hole with slot	-	thermoplastic	35	125	14H7	25	20	M6	20	-	47,5	4	23,3	-	107,7	18,5	58,4	52,1	5	16,3
06265-31251605	reamed hole with slot	-	thermoplastic	35	125	16H7	25	20	M6	20	-	47,5	4	23,3	-	107,7	18,5	58,4	52,1	5	18,3
06265-41601405	reamed hole with slot	-	thermoplastic	45	160	14H7	25	25	M8	26	-	62	5,6	28	-	142	18,5	81,6	63,8	5	16,3
06265-41601605	reamed hole with slot	-	thermoplastic	45	160	16H7	25	25	M8	26	-	62	5,6	28	-	142	18,5	81,6	63,8	5	18,3
06265-1080086	reamed hole	with transverse bore	thermoplastic	25	80	8H7	19	14	M4	13	M6	30	2,5	17,6	7,5	72,6	13	38	36,7	-	-
06265-1080106	reamed hole	with transverse bore	thermoplastic	25	80	10H7	19	14	M4	13	M6	30	2,5	17,6	7,5	72,6	13	38	36,7	-	-
06265-1080126	reamed hole	with transverse bore	thermoplastic	25	80	12H7	19	14	M4	13	M6	30	2,5	17,6	7,5	72,6	13	38	36,7	-	-
06265-2100106	reamed hole	with transverse bore	thermoplastic	28	100	10H7	19	16	M5	16	M6	38	3	20,1	7,5	88,6	13	47,5	43,5	-	-
06265-2100126	reamed hole	with transverse bore	thermoplastic	28	100	12H7	19	16	M5	16	M6	38	3	20,1	7,5	88,6	13	47,5	43,5	-	-
06265-3125126	reamed hole	with transverse bore	thermoplastic	35	125	12H7	25	20	M6	20	M6	47,5	4	23,3	7,5	107,7	18,5	58,4	52,1	-	-
06265-3125146	reamed hole	with transverse bore	thermoplastic	35	125	14H7	25	20	M6	20	M6	47,5	4	23,3	7,5	107,7	18,5	58,4	52,1	-	-
06265-3125166	reamed hole	with transverse bore	thermoplastic	35	125	16H7	25	20	M6	20	M6	47,5	4	23,3	7,5	107,7	18,5	58,4	52,1	-	-
06265-4160146	reamed hole	with transverse bore	thermoplastic	45	160	14H7	25	25	M8	26	M6	62	5,6	28	7,5	142	18,5	81,6	63,8	-	-
06265-4160166	reamed hole	with transverse bore	thermoplastic	45	160	16H7	25	25	M8	26	M6	62	5,6	28	7,5	142	18,5	81,6	63,8	-	-
06265-108008026	reamed hole with slot	with transverse bore	thermoplastic	25	80	8H7	19	14	M4	13	M6	30	2,5	17,6	7,5	72,6	13	38	36,7	2	9
06265-108010036	reamed hole with slot	with transverse bore	thermoplastic	25	80	10H7	19	14	M4	13	M6	30	2,5	17,6	7,5	72,6	13	38	36,7	3	11,4
06265-108012046	reamed hole with slot	with transverse bore	thermoplastic	25	80	12H7	19	14	M4	13	M6	30	2,5	17,6	7,5	72,6	13	38	36,7	4	13,8
06265-210010036	reamed hole with slot	with transverse bore	thermoplastic	28	100	10H7	19	16	M5	16	M6	38	3	20,1	7,5	88,6	13	47,5	43,5	3	11,4
06265-210012046	reamed hole with slot	with transverse bore	thermoplastic	28	100	12H7	19	16	M5	16	M6	38	3	20,1	7,5	88,6	13	47,5	43,5	4	13,8
06265-312512046	reamed hole with slot	with transverse bore	thermoplastic	35	125	12H7	25	20	M6	20	M6	47,5	4	23,3	7,5	107,7	18,5	58,4	52,1	4	13,8
06265-312514056	reamed hole with slot	with transverse bore	thermoplastic	35	125	14H7	25	20	M6	20	M6	47,5	4	23,3	7,5	107,7	18,5	58,4	52,1	5	16,3
06265-312516056	reamed hole with slot	with transverse bore	thermoplastic	35	125	16H7	25	20	M6	20	M6	47,5	4	23,3	7,5	107,7	18,5	58,4	52,1	5	18,3
06265-416014056	reamed hole with slot	with transverse bore	thermoplastic	45	160	14H7	25	25	M8	26	M6	62	5,6	28	7,5	142	18,5	81,6	63,8	5	16,3
06265-416016056	reamed hole with slot	with transverse bore	thermoplastic	45	160	16H7	25	25	M8	26	M6	62	5,6	28	7,5	142	18,5	81,6	63,8	5	18,3