

Item description/product images



Description

Material:

Steel or stainless steel 1.4301.

Version:

Electro zinc-plated, thick-film passivated and sealed with Top Coat.
Stainless steel bright.

Note:

Latches with draw bail for securing and locking hatches, container lids, machine cladding etc. By exceeding the dead centre they resist vibration.
The locking force is applied by drawing on the bail.

The latches can be screwed down or riveted. We recommend using countersunk screws for fastening the components.

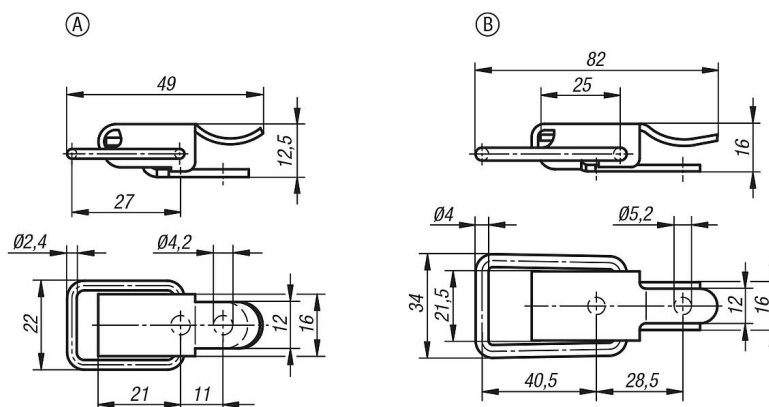
Order catch plates separately.

Accessory:

Catch plate 05526.

Catch plate 05531.

Drawings



Overview of items

Order No.	Main material	Form	Retaining force F1 N
05531-1420491	steel	A	250
05531-1420492	stainless steel	A	250
05531-2520821	steel	B	300
05531-2520822	stainless steel	B	300