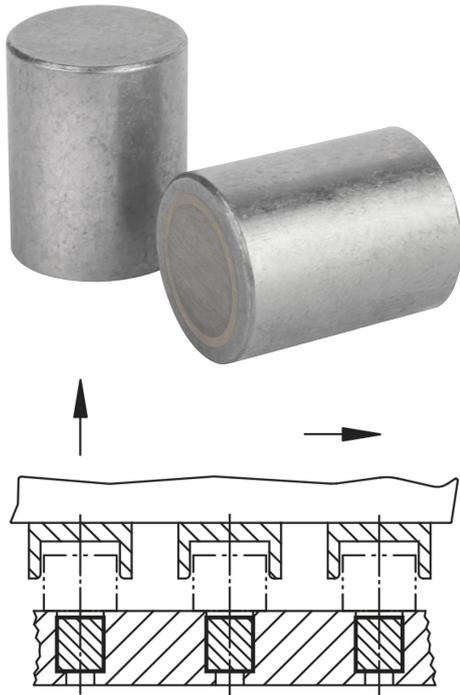


Item description/product images



Description

Material:

Housing, steel.
Magnetic core AlNiCo.

Version:

Bright.

Note:

Shielded system. Diameter "D" ground to a h6 tolerance. Fastening possibilities by press-in, shrink-fit or gluing.
Deep pot magnets can be shortened by the dimension "H1" with no loss of magnetic force.

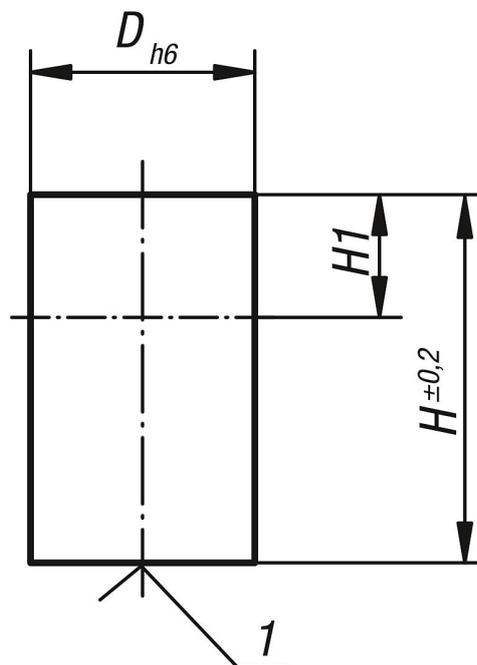
Temperature range:

max. 450°C.

Drawing reference:

1) magnetic face

Drawings



Overview of items

Order No.	D	H	H1	Magnetic force N
09060-01	6	10	2	1,5
09060-02	8	12	3	3,5
09060-03	10	16	6	7
09060-04	13	18	7	10

Overview of items

Order No.	D	H	H1	Magnetic force N
09060-05	16	20	5	18
09060-06	20	25	6	42
09060-07	25	30	5	96
09060-08	32	35	3	180
09060-09	40	45	5	240
09060-10	50	50	2	420