

## Item description/product images

**Description****Material:**

Aluminium EN AW-6060

**Version:**

Black anodised

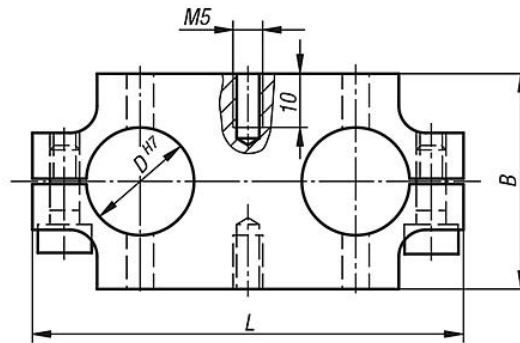
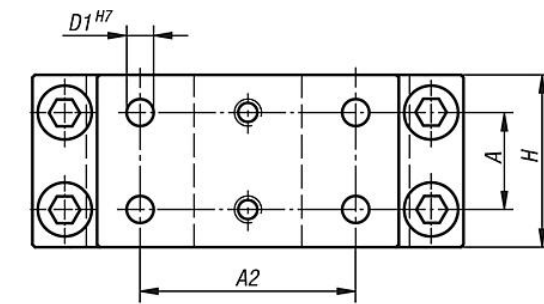
**Note:**

Double column clamps in four different sizes. Machined mounting faces with mounting and centring holes guarantee precise mounting of elements.

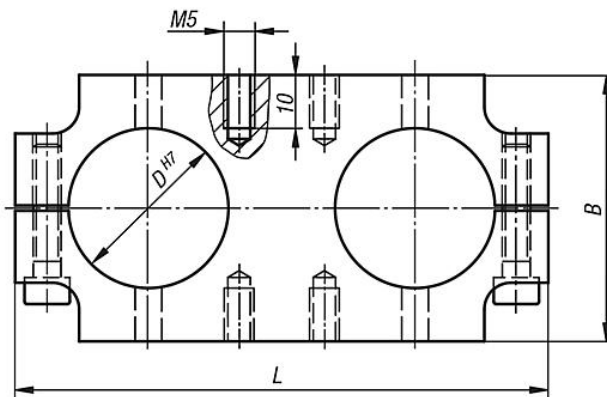
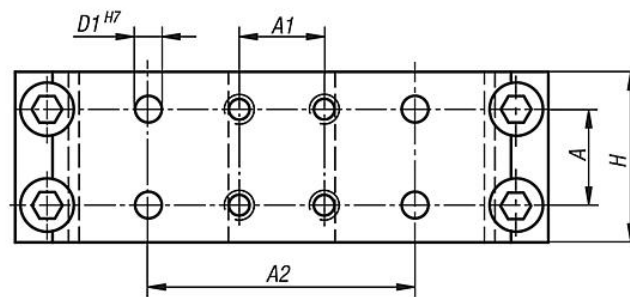
**Drawing reference:**position tolerance of reamed holes:  $\pm 0,01$ position tolerance of holes:  $\pm 0,1$

Drawings

29207-2122  
29207-2202



29207-2302  
29207-2402



Overview of items

Order No.	Size	A	A1	A2	B	D	D1	H	L
29207-2122	12	12	-	30	30	12	5	26	60
29207-2202	20	18	-	40	40	20	5	32	80
29207-2302	30	18	16	50	50	30	5	32	100
29207-2402	40	18	26	60	60	40	6	32	120

