

Item description/product images



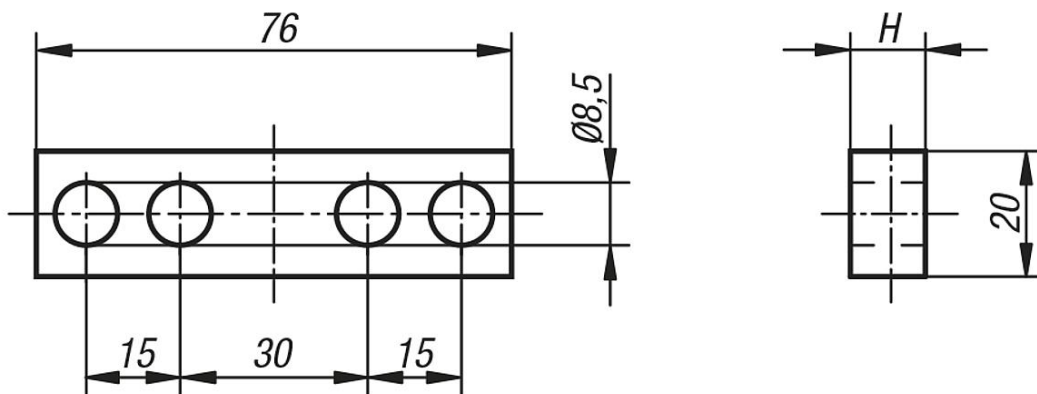
Description

Material:
Carbon steel.

Version:
Black oxidised.

Note:
These spacers are used as riser elements for prisms attachments 33090.

Drawings



Overview of items

Order No.	H
33092-005	5
33092-008	8
33092-012	12
33092-015	15
33092-020	20