

Item description/product images



Description

Material:

Aluminium, nitrile rubber

Note:

The machine feet with vibration absorption remain vertically and horizontally stable, even in the presence of strong vibrations.

Permanent loads are optimally absorbed thanks to the high quality rubber-metal joint.

The machine feet can be screwed onto the machine using a threaded spindle.

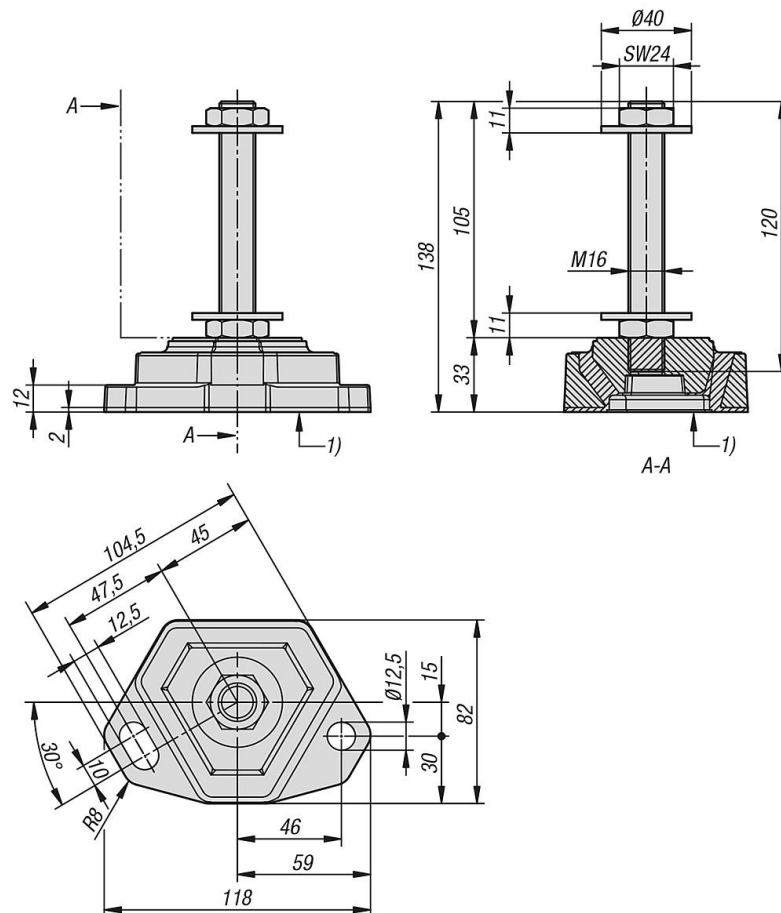
Supplied with:

Threaded spindle M16X105 is supplied fully assembled as part of delivery.

Drawing reference:

1) Shore hardness

Drawings



Overview of items

Order No.	Shore grade	Rec. load (N)	Max. load (N)
27761-30	30	1000	2000
27761-50	50	2500	5000
27761-70	70	3500	10000
27761-90	90	5000	15000