

Pneumatic toggle clamps

Tünkers System

Pneumatic toggle clamps are used for economic manufacturing in transfer lines, machine tools, fixtures and special machines.

Functional principle:

High clamping forces are achieved at low air pressure and air consumption. The clamping arm is laterally stable and bearing-mounted against rotation, torsion and angular shift. The clamping forces engendered by the toggle lever are taken up by thrust bearings.

Particular design features:

Clamp design:

Hardened bushes and guide rails, roller-mounted thrust bearings. Maintenance-free due to permanent lubrication and special bearing bushes.

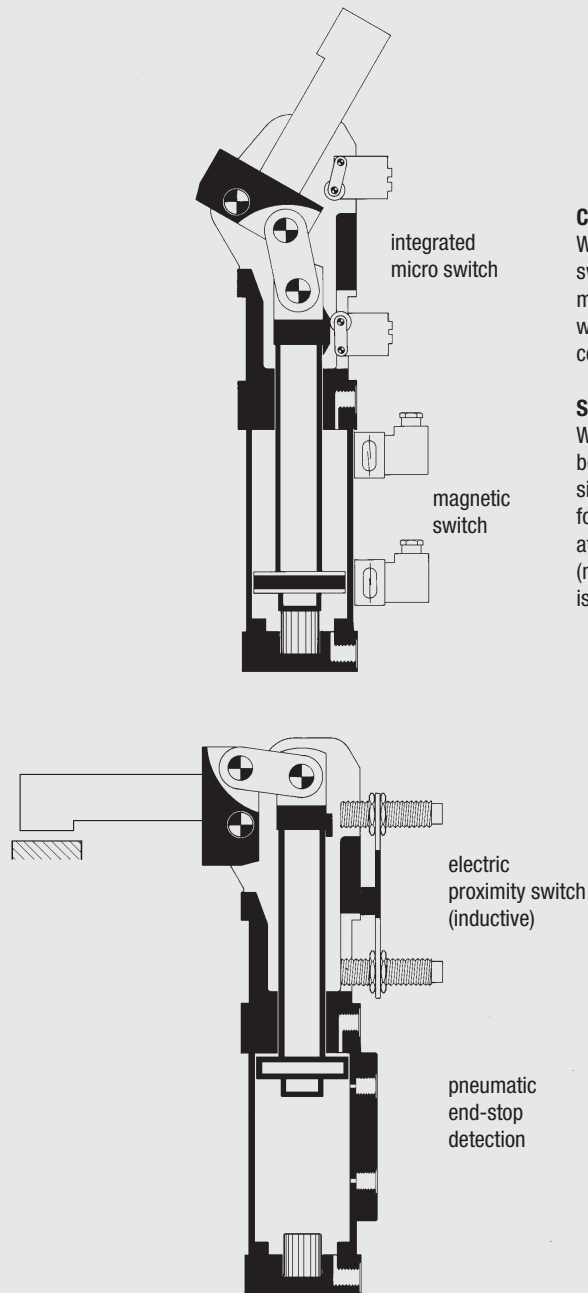
Retaining clamps:

Are completely self-locking. The clamping force is safely guaranteed, even if the pressure is removed. Clip position in the top dead centre position:

Note:

The clamping arm can always be moved from the top dead centre position if the acting retention force does not exceed the clamping force created (e.g. by slippage of the clamped machined part).

Determining the end position:



Control:

When constructing complete switches consult the known manufacturers of pneumatic valves, who also supply all the connecting components and fittings.

Selection criteria:

With pneumatic clamps, in order to be able to select the correct clamp size, in addition to the retention force, the possible clamping force at 5 bar air pressure (max. possible air pressure 8 bar) is also specified.

mounting example

