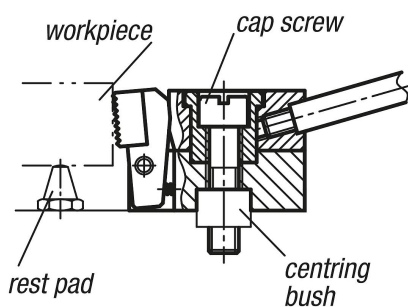


## Item description/product images

**Description****Material:**

Steel.

**Version:**

Case-hardened and black oxidised.

**Note:**

This is a quick-action side clamp where workpieces are clamped by rotating a cam wheel which exerts pressure on the swivel jaw, simultaneously producing a positive down force.

Using the centring bush (see diagram), the side clamp can be mounted and positioned on a modular grid system.

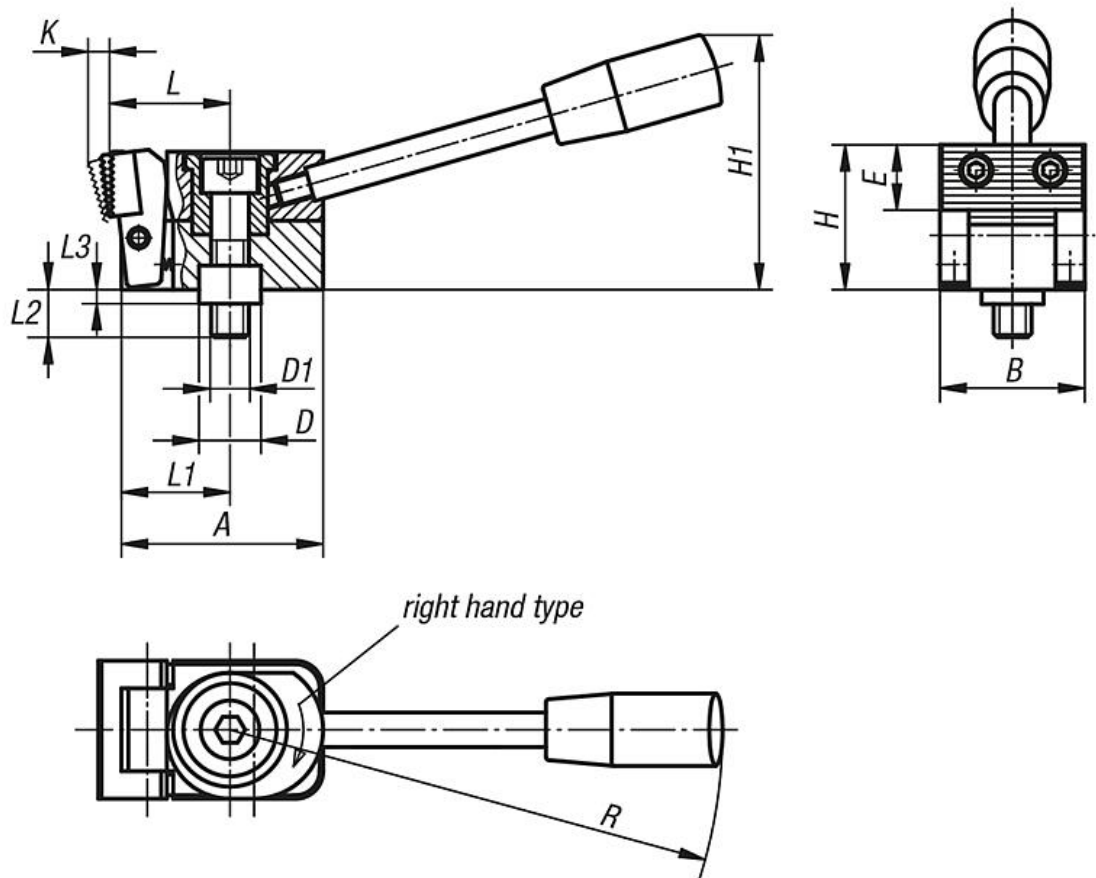
The versions 04518-006010, 04518-006015, 04518-006030 and 04518-006035 have 2 round carbide inserts.

**Clamping force:**

04518-006... = 3800 N

04518-010... = 7200 N

Drawings

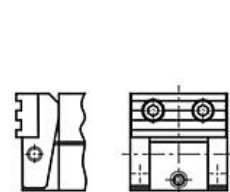
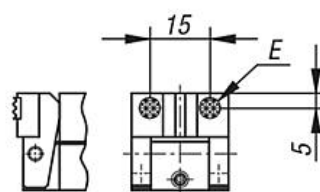
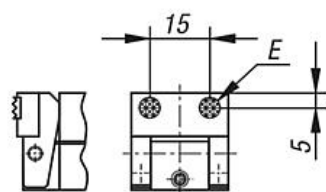
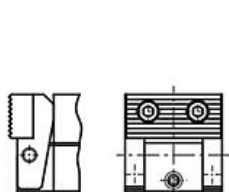


Form A  
steel jaw  
serrated

Form B  
jaw with 2 round  
carbide inserts

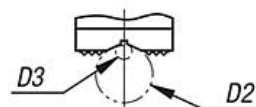
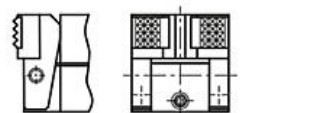
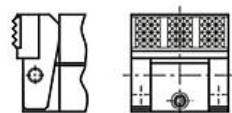
Form C  
jaw with 2 round  
carbide inserts  
and central prism

Form D  
POM jaw  
serrated



3 rectangular  
carbide inserts

2 rectangular carbide  
inserts and central prism



## Overview of items

| Order No.    | Form | Version 1 | A    | B  | D  | D1  | D2<br>max. | D3<br>min. | E    | H  | H1 | K   | L    | L1   | L2 | L3 | R   | F=Retaining<br>force N |
|--------------|------|-----------|------|----|----|-----|------------|------------|------|----|----|-----|------|------|----|----|-----|------------------------|
| 04518-006005 | A    | 0,32      | 38,5 | 25 | 12 | M6  | -          | -          | 11   | 25 | 45 | 4   | 22   | 20   | 17 | 4  | 110 | 3800                   |
| 04518-010005 | A    | 0,32      | 58,5 | 40 | 18 | M10 | -          | -          | 18   | 40 | 74 | 6   | 35   | 31,5 | 27 | 6  | 143 | 7200                   |
| 04518-006025 | A    | 0,29      | 38,5 | 25 | 12 | M6  | -          | -          | 11   | 25 | 45 | 4   | 22   | 20   | 17 | 4  | 110 | 3800                   |
| 04518-010025 | A    | 0,29      | 58,5 | 40 | 18 | M10 | -          | -          | 18   | 40 | 74 | 6   | 35   | 31,5 | 27 | 6  | 143 | 7200                   |
| 04518-006010 | B    | 0,32      | 38,5 | 25 | 12 | M6  | -          | -          | ø8   | 24 | 45 | 3,5 | 22   | 20   | 17 | 4  | 110 | 3800                   |
| 04518-010010 | B    | 0,32      | 58,5 | 40 | 18 | M10 | -          | -          | 12,7 | 39 | 74 | 5,5 | 37   | 31,5 | 27 | 6  | 143 | 7200                   |
| 04518-006030 | B    | 0,29      | 38,5 | 25 | 12 | M6  | -          | -          | ø8   | 24 | 45 | 3,5 | 22   | 20   | 17 | 4  | 110 | 3800                   |
| 04518-010030 | B    | 0,29      | 58,5 | 40 | 18 | M10 | -          | -          | 12,7 | 39 | 74 | 5,5 | 37   | 31,5 | 27 | 6  | 143 | 7200                   |
| 04518-006015 | C    | 0,32      | 38,5 | 25 | 12 | M6  | 9,5        | 2,5        | ø8   | 24 | 45 | 3,5 | 22   | 20   | 17 | 4  | 110 | 3800                   |
| 04518-010015 | C    | 0,32      | 58,5 | 40 | 18 | M10 | 27         | 4,5        | 12,7 | 39 | 74 | 5,5 | 37   | 31,5 | 27 | 6  | 143 | 7200                   |
| 04518-006035 | C    | 0,29      | 38,5 | 25 | 12 | M6  | 9,5        | 2,5        | ø8   | 24 | 45 | 3,5 | 22   | 20   | 17 | 4  | 110 | 3800                   |
| 04518-010035 | C    | 0,29      | 58,5 | 40 | 18 | M10 | 27         | 4,5        | 12,7 | 39 | 74 | 5,5 | 37   | 31,5 | 27 | 6  | 143 | 7200                   |
| 04518-006020 | D    | 0,32      | 38,5 | 25 | 12 | M6  | -          | -          | 11   | 25 | 45 | 4,5 | 22   | 20   | 17 | 4  | 110 | 3800                   |
| 04518-010020 | D    | 0,32      | 58,5 | 40 | 18 | M10 | -          | -          | 18   | 40 | 74 | 7   | 34,5 | 31,5 | 27 | 6  | 143 | 7200                   |
| 04518-006040 | D    | 0,29      | 38,5 | 25 | 12 | M6  | -          | -          | 11   | 25 | 45 | 4,5 | 22   | 20   | 17 | 4  | 110 | 3800                   |
| 04518-010040 | D    | 0,29      | 58,5 | 40 | 18 | M10 | -          | -          | 18   | 40 | 74 | 7   | 34,5 | 31,5 | 27 | 6  | 143 | 7200                   |