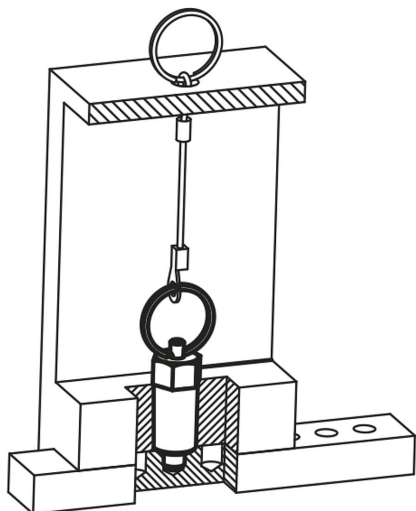
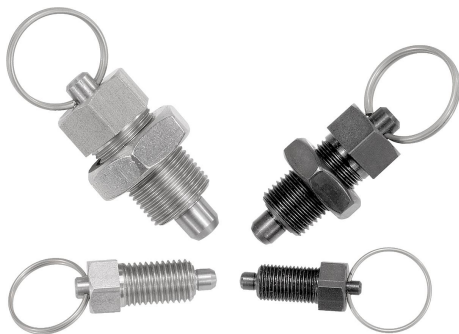


## Item description/product images

**Description****Material:**

Steel version  
Indexing pin hardened:  
grade 5.8.

Stainless steel version  
Indexing pin hardened:  
Threaded sleeve 1.4305.  
Indexing pin 1.4034.

Indexing pin not hardened:  
Threaded sleeve 1.4305.  
Indexing pin 1.4305.

Key ring 1.4310, bright.

**Version:**

Steel version:  
Indexing pin hardened, ground, black oxidised.

Stainless steel version:  
Indexing pin hardened, ground and bright.  
Indexing pin not hardened, ground and bright.

**Note:**

Indexing plungers are used to prevent any change in locking position due to lateral forces. A new locking position can only be set after the pin has been disengaged. The key ring is also suitable for automatic actuation of the indexing plunger by e.g. program-controlled pneumatic cylinder or by remote control using bowden cables.

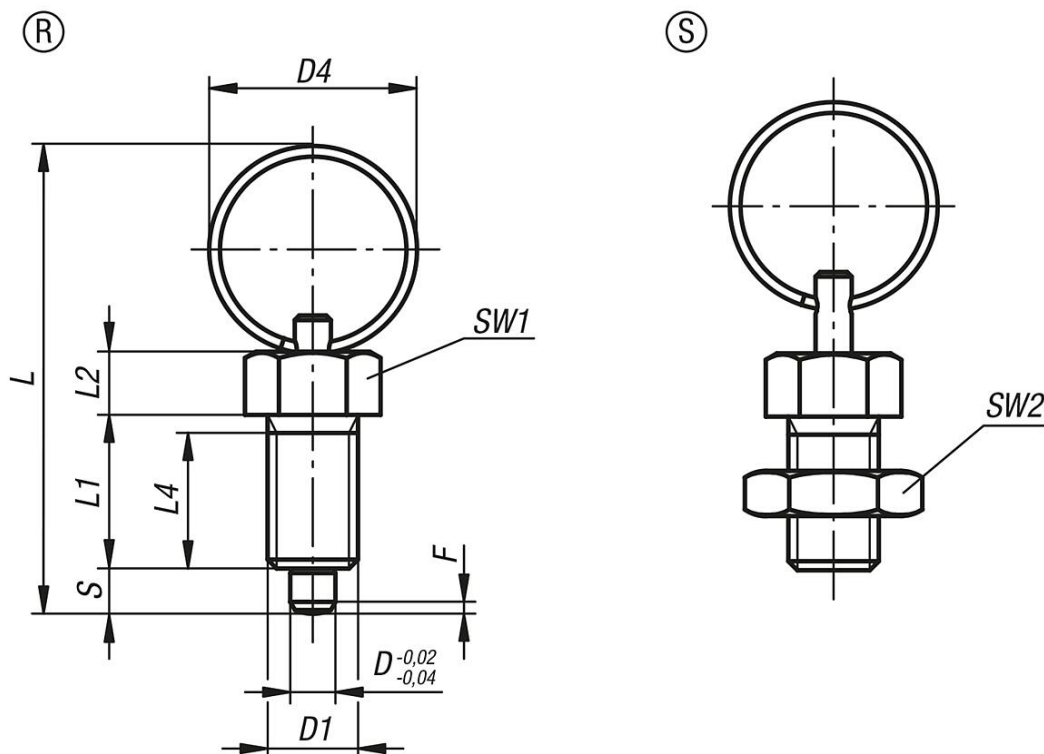
**On request:**

Special versions.

**Drawing reference:**

Form R: without locknut  
Form S: with locknut

Drawings



Overview of items

Order No.	Form	Main material	Surface finish body	D	D1	D4	L	L1	L2	L4	Travel S	SW1	Fx30°	Spring force initial pressure F1 approx. N	Spring force final pressure F2 approx. N
03092-3004	R	steel	hardened	4	M8x1	15	40	15	6	13	4	10	1	6	12
03092-3105	R	steel	hardened	5	M10x1	23	52	17	7	15	5	13	1,3	5	12
03092-3206	R	steel	hardened	6	M12x1,5	23	57	20	8	17	6	14	1,8	6	14
03092-3308	R	steel	hardened	8	M16x1,5	28	72	26	10	23	8	19	2,3	15	35
03092-3410	R	steel	hardened	10	M20x1,5	28	78	28	12	25	10	22	2,8	15	34
03092-03004	R	stainless steel	hardened	4	M8x1	15	40	15	6	13	4	10	1	6	12
03092-03105	R	stainless steel	hardened	5	M10x1	23	52	17	7	15	5	13	1,3	5	12
03092-03206	R	stainless steel	hardened	6	M12x1,5	23	57	20	8	17	6	14	1,8	6	14
03092-03308	R	stainless steel	hardened	8	M16x1,5	28	72	26	10	23	8	19	2,3	15	35
03092-03410	R	stainless steel	hardened	10	M20x1,5	28	78	28	12	25	10	22	2,8	15	34
03092-13004	R	stainless steel	not hardened	4	M8x1	15	40	15	6	13	4	10	1	6	12
03092-13105	R	stainless steel	not hardened	5	M10x1	23	52	17	7	15	5	13	1,3	5	12
03092-13206	R	stainless steel	not hardened	6	M12x1,5	23	57	20	8	17	6	14	1,8	6	14
03092-13308	R	stainless steel	not hardened	8	M16x1,5	28	72	26	10	23	8	19	2,3	15	35
03092-13410	R	stainless steel	not hardened	10	M20x1,5	28	78	28	12	25	10	22	2,8	15	34
03092-4004	S	steel	hardened	4	M8x1	15	40	15	6	13	4	10	1	6	12
03092-4105	S	steel	hardened	5	M10x1	23	52	17	7	15	5	13	1,3	5	12
03092-4206	S	steel	hardened	6	M12x1,5	23	57	20	8	17	6	14	1,8	6	14
03092-4308	S	steel	hardened	8	M16x1,5	28	72	26	10	23	8	19	2,3	15	35
03092-4410	S	steel	hardened	10	M20x1,5	28	78	28	12	25	10	22	2,8	15	34
03092-04004	S	stainless steel	hardened	4	M8x1	15	40	15	6	13	4	10	1	6	12
03092-04105	S	stainless steel	hardened	5	M10x1	23	52	17	7	15	5	13	1,3	5	12
03092-04206	S	stainless steel	hardened	6	M12x1,5	23	57	20	8	17	6	14	1,8	6	14
03092-04308	S	stainless steel	hardened	8	M16x1,5	28	72	26	10	23	8	19	2,3	15	35
03092-04410	S	stainless steel	hardened	10	M20x1,5	28	78	28	12	25	10	22	2,8	15	34
03092-14004	S	stainless steel	not hardened	4	M8x1	15	40	15	6	13	4	10	1	6	12
03092-14105	S	stainless steel	not hardened	5	M10x1	23	52	17	7	15	5	13	1,3	5	12
03092-14206	S	stainless steel	not hardened	6	M12x1,5	23	57	20	8	17	6	14	1,8	6	14
03092-14308	S	stainless steel	not hardened	8	M16x1,5	28	72	26	10	23	8	19	2,3	15	35
03092-14410	S	stainless steel	not hardened	10	M20x1,5	28	78	28	12	25	10	22	2,8	15	34

