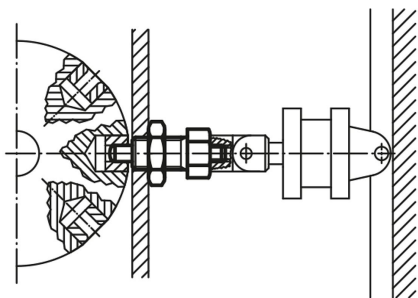


Item description/product images



Description

Material:

Steel version
Indexing pin hardened:
grade 5.8.

Stainless steel version
Indexing pin hardened:
Threaded sleeve 1.4305.
Indexing pin 1.4034.

Indexing pin not hardened:
Threaded sleeve 1.4305.
Indexing pin 1.4305.

Version:

Steel version:
Indexing pin hardened, ground, black oxidised.

Stainless steel version:
Indexing pin hardened, ground and bright.
Indexing pin not hardened, ground and bright.

Note:

Indexing plungers are used to prevent any change in locking position due to lateral forces. A new locking position can only be set after the pin has been disengaged. Special grips can be fitted on the projecting threaded pin. This pin is also suitable for automatic actuation e.g. programme controlled pneumatic cylinder or by remote control using bowden cables.

On request:

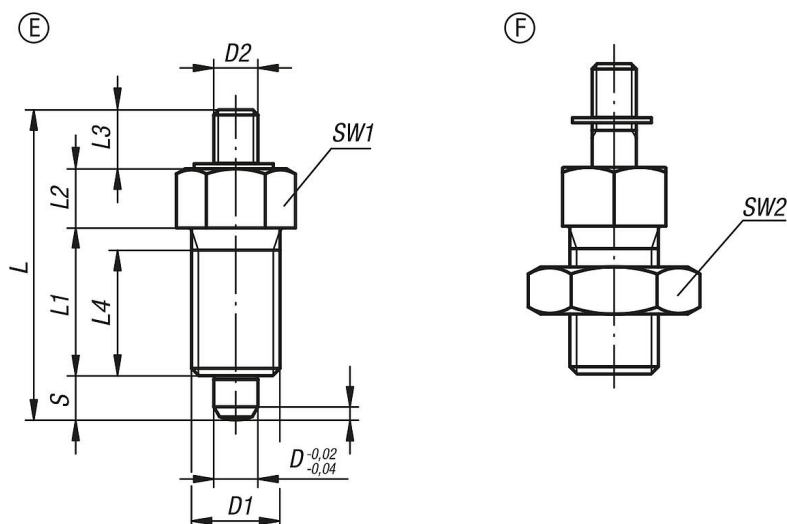
Special versions.

Drawing reference:

Form E: with threaded pin, without locknut

Form F: with threaded pin, with locknut

Drawings



Overview of items

Order No.	Form	Main material	Surface finish body	D	D1	D2	L	L1	L2	L3	Travel S	SW1	SW2	Fx30°	Spring force initial pressure F1 approx. N	Spring force final pressure F2 approx. N
03092-1903	E	steel	hardened	3	M6x0,75	M2	24	12	5	3,5	3,5	8	-	0,8	4,5	10
03092-1004	E	steel	hardened	4	M8x1	M3	32	15	6	7	4	10	-	1	6	12
03092-1105	E	steel	hardened	5	M10x1	M4	37	17	7	8	5	13	-	1,3	5	12
03092-1206	E	steel	hardened	6	M12x1,5	M6	42	20	8	8	6	14	-	1,8	6	14
03092-1308	E	steel	hardened	8	M16x1,5	M8	56	26	10	12	8	19	-	2,3	15	35
03092-1410	E	steel	hardened	10	M20x1,5	M8	62	28	12	12	10	22	-	2,8	15	34
03092-1412	E	steel	hardened	12	M20x1,5	M8	66	28	14	12	12	22	-	2,8	15	39
03092-1516	E	steel	hardened	16	M24x2	M10	80	32	18	14	16	27	-	3,2	20	46
03092-01903	E	stainless steel	hardened	3	M6x0,75	M2	24	12	5	3,5	3,5	8	-	0,8	4,5	10
03092-01004	E	stainless steel	hardened	4	M8x1	M3	32	15	6	7	4	10	-	1	6	12
03092-01105	E	stainless steel	hardened	5	M10x1	M4	37	17	7	8	5	13	-	1,3	5	12
03092-01206	E	stainless steel	hardened	6	M12x1,5	M6	42	20	8	8	6	14	-	1,8	6	14
03092-01308	E	stainless steel	hardened	8	M16x1,5	M8	56	26	10	12	8	19	-	2,3	15	35
03092-01410	E	stainless steel	hardened	10	M20x1,5	M8	62	28	12	12	10	22	-	2,8	15	34
03092-01412	E	stainless steel	hardened	12	M20x1,5	M8	66	28	14	12	12	22	-	2,8	15	39
03092-01516	E	stainless steel	hardened	16	M24x2	M10	80	32	18	14	16	27	-	3,2	20	46
03092-11903	E	stainless steel	not hardened	3	M6x0,75	M2	24	12	5	3,5	3,5	8	-	0,8	4,5	10
03092-11004	E	stainless steel	not hardened	4	M8x1	M3	32	15	6	7	4	10	-	1	6	12
03092-11105	E	stainless steel	not hardened	5	M10x1	M4	37	17	7	8	5	13	-	1,3	5	12
03092-11206	E	stainless steel	not hardened	6	M12x1,5	M6	42	20	8	8	6	14	-	1,8	6	14
03092-11308	E	stainless steel	not hardened	8	M16x1,5	M8	56	26	10	12	8	19	-	2,3	15	35
03092-11410	E	stainless steel	not hardened	10	M20x1,5	M8	62	28	12	12	10	22	-	2,8	15	34
03092-11412	E	stainless steel	not hardened	12	M20x1,5	M8	66	28	14	12	12	22	-	2,8	15	39
03092-11516	E	stainless steel	not hardened	16	M24x2	M10	80	32	18	14	16	27	-	3,2	20	46
03092-2903	F	steel	hardened	3	M6x0,75	M2	24	12	5	3,5	3,5	8	10	0,8	4,5	10
03092-2004	F	steel	hardened	4	M8x1	M3	32	15	6	7	4	10	13	1	6	12
03092-2105	F	steel	hardened	5	M10x1	M4	37	17	7	8	5	13	17	1,3	5	12
03092-2206	F	steel	hardened	6	M12x1,5	M6	42	20	8	8	6	14	19	1,8	6	14
03092-2308	F	steel	hardened	8	M16x1,5	M8	56	26	10	12	8	19	24	2,3	15	35
03092-2410	F	steel	hardened	10	M20x1,5	M8	62	28	12	12	10	22	30	2,8	15	34
03092-2412	F	steel	hardened	12	M20x1,5	M8	66	28	14	12	12	22	30	2,8	15	39
03092-2516	F	steel	hardened	16	M24x2	M10	80	32	18	14	16	27	36	3,2	20	46
03092-02903	F	stainless steel	hardened	3	M6x0,75	M2	24	12	5	3,5	3,5	8	10	0,8	4,5	10
03092-02004	F	stainless steel	hardened	4	M8x1	M3	32	15	6	7	4	10	13	1	6	12
03092-02105	F	stainless steel	hardened	5	M10x1	M4	37	17	7	8	5	13	17	1,3	5	12
03092-02206	F	stainless steel	hardened	6	M12x1,5	M6	42	20	8	8	6	14	19	1,8	6	14
03092-02308	F	stainless steel	hardened	8	M16x1,5	M8	56	26	10	12	8	19	24	2,3	15	35
03092-02410	F	stainless steel	hardened	10	M20x1,5	M8	62	28	12	12	10	22	30	2,8	15	34
03092-02412	F	stainless steel	hardened	12	M20x1,5	M8	66	28	14	12	12	22	30	2,8	15	39
03092-02516	F	stainless steel	hardened	16	M24x2	M10	80	32	18	14	16	27	36	3,2	20	46
03092-12903	F	stainless steel	not hardened	3	M6x0,75	M2	24	12	5	3,5	3,5	8	10	0,8	4,5	10
03092-12004	F	stainless steel	not hardened	4	M8x1	M3	32	15	6	7	4	10	13	1	6	12
03092-12105	F	stainless steel	not hardened	5	M10x1	M4	37	17	7	8	5	13	17	1,3	5	12
03092-12206	F	stainless steel	not hardened	6	M12x1,5	M6	42	20	8	8	6	14	19	1,8	6	14
03092-12308	F	stainless steel	not hardened	8	M16x1,5	M8	56	26	10	12	8	19	24	2,3	15	35
03092-12410	F	stainless steel	not hardened	10	M20x1,5	M8	62	28	12	12	10	22	30	2,8	15	34
03092-12412	F	stainless steel	not hardened	12	M20x1,5	M8	66	28	14	12	12	22	30	2,8	15	39
03092-12516	F	stainless steel	not hardened	16	M24x2	M10	80	32	18	14	16	27	36	3,2	20	46