



Description

Material:

Steel version:
Indexing pin hardened:
Sleeve 1.0403 weldable.
Indexing pin grade 5.8.

Stainless steel version:
Indexing pin hardened:
Sleeve 1.4301 weldable.
Indexing pin 1.4034.

Indexing pin not hardened:
Sleeve 1.4301 weldable.
Indexing pin 1.4305.

Mushroom knob black grey thermoplastic.

Version:

Steel version:
Indexing pin hardened, ground, black oxidised.

Stainless steel version:
Indexing pin hardened, ground and bright.
Indexing pin not hardened, ground and bright.

Note:

Indexing plungers are used to prevent any change in locking position due to lateral forces. A new locking position can only be set after the pin has been manually disengaged.

Form M is recommended for applications where the indexing plungers should remain disengaged over an extended period and the pin prevented from springing back. Special grips can be fitted on the projecting threaded pin of Form N. This pin is also suitable for actuating the indexing plunger e.g. automatically (program-controlled) with the aid of a pneumatic cylinder or remote controlled with Bowden cables. If the indexing plunger is welded on, the sleeve should be tack welded so that the spring is not thermally damaged due to high temperatures.

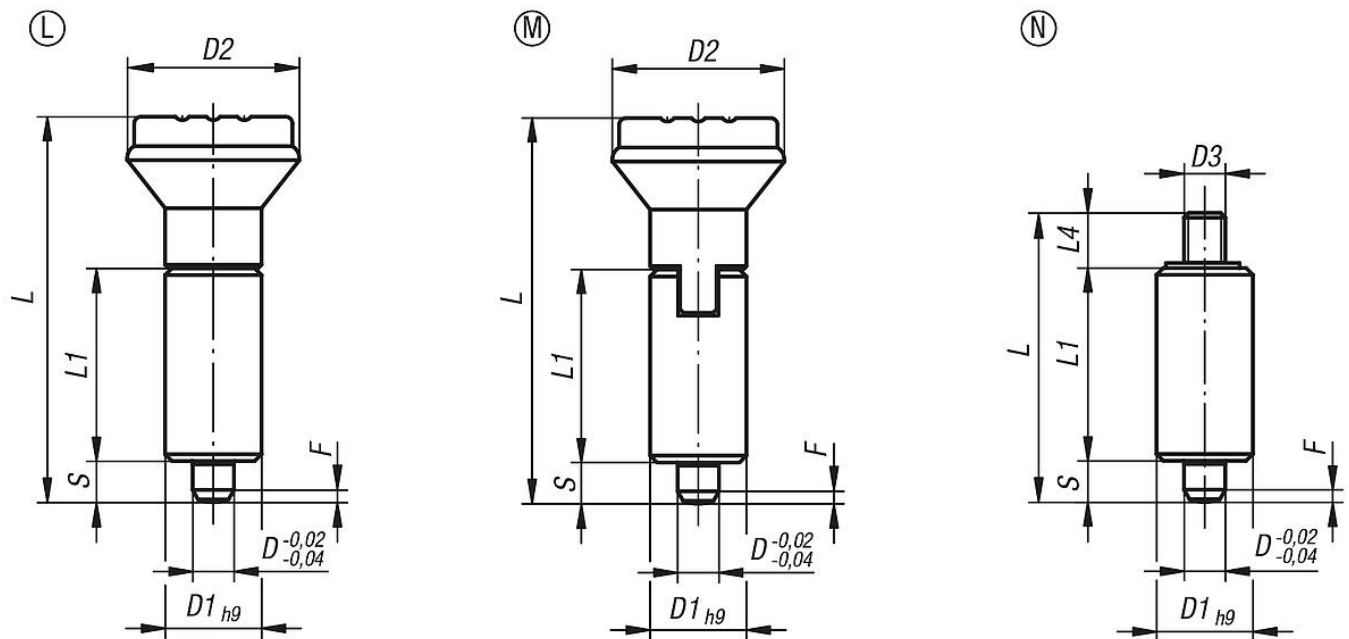
On request:

Special versions.

Drawing reference:

Form L: non-lockout type
Form M: lockout type
Form N: with threaded pin

Drawings



Overview of items

Order No.	Form	Main material	Surface finish body	D	D1	D3	L	L1	L4	Travel S	Fx30°	Spring force initial pressure F1 approx. N	Spring force final pressure F2 approx. N
03098-1105	L	steel	hardened	5	12	-	47	24	-	5	1,3	5	12
03098-1206	L	steel	hardened	6	14	-	56	28	-	6	1,8	6	14
03098-1308	L	steel	hardened	8	18	-	74	36	-	8	2,3	15	35
03098-1410	L	steel	hardened	10	22	-	80	40	-	10	2,8	15	34
03098-01105	L	stainless steel	hardened	5	12	-	47	24	-	5	1,3	5	12
03098-01206	L	stainless steel	hardened	6	14	-	56	28	-	6	1,8	6	14
03098-01308	L	stainless steel	hardened	8	18	-	74	36	-	8	2,3	15	35
03098-01410	L	stainless steel	hardened	10	22	-	80	40	-	10	2,8	15	34
03098-11105	L	stainless steel	not hardened	5	12	-	47	24	-	5	1,3	5	12
03098-11206	L	stainless steel	not hardened	6	14	-	56	28	-	6	1,8	6	14
03098-11308	L	stainless steel	not hardened	8	18	-	74	36	-	8	2,3	15	35
03098-11410	L	stainless steel	not hardened	10	22	-	80	40	-	10	2,8	15	34
03098-2105	M	steel	hardened	5	12	-	47	24	-	5	1,3	5	12
03098-2206	M	steel	hardened	6	14	-	56	28	-	6	1,8	6	14
03098-2308	M	steel	hardened	8	18	-	74	36	-	8	2,3	15	35
03098-2410	M	steel	hardened	10	22	-	80	40	-	10	2,8	15	34
03098-02105	M	stainless steel	hardened	5	12	-	47	24	-	5	1,3	5	12
03098-02206	M	stainless steel	hardened	6	14	-	56	28	-	6	1,8	6	14
03098-02308	M	stainless steel	hardened	8	18	-	74	36	-	8	2,3	15	35
03098-02410	M	stainless steel	hardened	10	22	-	80	40	-	10	2,8	15	34
03098-12105	M	stainless steel	not hardened	5	12	-	47	24	-	5	1,3	5	12
03098-12206	M	stainless steel	not hardened	6	14	-	56	28	-	6	1,8	6	14
03098-12308	M	stainless steel	not hardened	8	18	-	74	36	-	8	2,3	15	35
03098-12410	M	stainless steel	not hardened	10	22	-	80	40	-	10	2,8	15	34
03098-3105	N	steel	hardened	5	12	M4	37	24	8	5	1,3	5	12
03098-3206	N	steel	hardened	6	14	M6	43	28	9	6	1,8	6	14
03098-3308	N	steel	hardened	8	18	M8	56	36	12	8	2,3	15	35
03098-3410	N	steel	hardened	10	22	M8	62	40	12	10	2,8	15	34
03098-03105	N	stainless steel	hardened	5	12	M4	37	24	8	5	1,3	5	12
03098-03206	N	stainless steel	hardened	6	14	M6	43	28	9	6	1,8	6	14
03098-03308	N	stainless steel	hardened	8	18	M8	56	36	12	8	2,3	15	35
03098-03410	N	stainless steel	hardened	10	22	M8	62	40	12	10	2,8	15	34
03098-13105	N	stainless steel	not hardened	5	12	M4	37	24	8	5	1,3	5	12
03098-13206	N	stainless steel	not hardened	6	14	M6	43	28	9	6	1,8	6	14
03098-13308	N	stainless steel	not hardened	8	18	M8	56	36	12	8	2,3	15	35
03098-13410	N	stainless steel	not hardened	10	22	M8	62	40	12	10	2,8	15	34

