



Description

Material:

Steel version:
Indexing pin hardened:
Sleeve 1.0403 weldable.
Indexing pin grade 5.8.

Stainless steel version:
Indexing pin hardened:
Sleeve 1.4301 weldable.
Indexing pin 1.4034.

Indexing pin not hardened:
Sleeve 1.4301 weldable.
Indexing pin 1.4305.

Mushroom knob black grey thermoplastic.

Version:

Steel version:
Indexing pin hardened, ground, black oxidised.

Stainless steel version:
Indexing pin hardened, ground and bright.
Indexing pin not hardened, ground and bright.

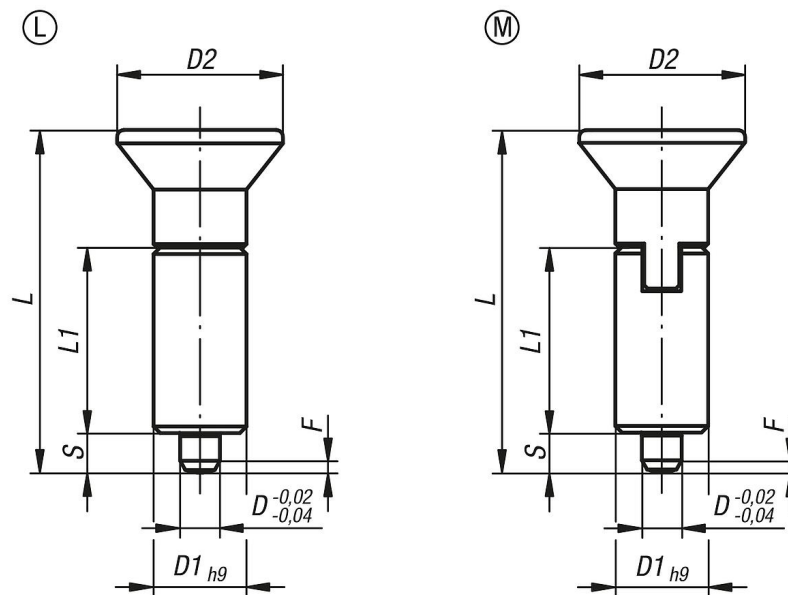
Note:

Indexing plungers are used to prevent any change in locking position due to lateral forces. A new locking position can only be set after the pin has been manually disengaged.

Form M is recommended for applications where the indexing plungers should remain disengaged over an extended period and the pin prevented from springing back. If the indexing plunger is welded on, the sleeve should be tack welded so that the spring is not thermally damaged due to high temperatures.

On request:

Special versions.



Overview of items

Indexing plungers without collar, steel, indexing pin hardened

Order No. Form L	Order No. Form M	D	D1	D2	L	L1	Travel S	Fx30°	Spring force initial pressure F1 approx. N	Spring force final pressure F2 approx. N
03097-1004	03097-2004	4	10	18	38,5	21	4	1	6	12
03097-1105	03097-2105	5	12	21	43,5	24	5	1,3	5	12
03097-1206	03097-2206	6	14	25	51,7	28	6	1,8	6	14
03097-1308	03097-2308	8	18	33	68	36	8	2,3	15	35
03097-1410	03097-2410	10	22	33	74	40	10	2,8	15	34

Indexing plungers without collar, stainless steel, indexing pin hardened

Order No. Form L	Order No. Form M	D	D1	D2	L	L1	Travel S	Fx30°	Spring force initial pressure F1 approx. N	Spring force final pressure F2 approx. N
03097-01004	03097-02004	4	10	18	38,5	21	4	1	6	12
03097-01105	03097-02105	5	12	21	43,5	24	5	1,3	5	12
03097-01206	03097-02206	6	14	25	51,7	28	6	1,8	6	14
03097-01308	03097-02308	8	18	33	68	36	8	2,3	15	35
03097-01410	03097-02410	10	22	33	74	40	10	2,8	15	34

Indexing plungers without collar, stainless steel, indexing pin not hardened

Order No. Form L	Order No. Form M	D	D1	D2	L	L1	Travel S	Fx30°	Spring force initial pressure F1 approx. N	Spring force final pressure F2 approx. N
03097-11004	03097-12004	4	10	18	38,5	21	4	1	6	12
03097-11105	03097-12105	5	12	21	43,5	24	5	1,3	5	12
03097-11206	03097-12206	6	14	25	51,7	28	6	1,8	6	14
03097-11308	03097-12308	8	18	33	68	36	8	2,3	15	35
03097-11410	03097-12410	10	22	33	74	40	10	2,8	15	34

