

Description

Material:

Steel version

Indexing pin hardened:
grade 5.8.

Stainless steel version

Indexing pin hardened:
Threaded sleeve 1.4305.
Indexing pin 1.4034.

Indexing pin not hardened:

Threaded sleeve 1.4305.
Indexing pin 1.4305.

Mushroom knob black-grey thermoplastic.

Version:

Steel version:

Indexing pin hardened, ground, black oxidised.

Stainless steel version:

Indexing pin hardened, ground and bright.

Indexing pin not hardened, ground and bright.

Note:

Indexing plungers are used to prevent any change in locking position due to lateral forces. A new locking position can only be set after the pin has been manually disengaged.

A washer is available to aid by screwing in the indexing plungers. The washer slides beneath the mushroom knob so that the carrier pins engage in the slot.

On request:

Special versions.

Drawing reference:

Form G: without locknut

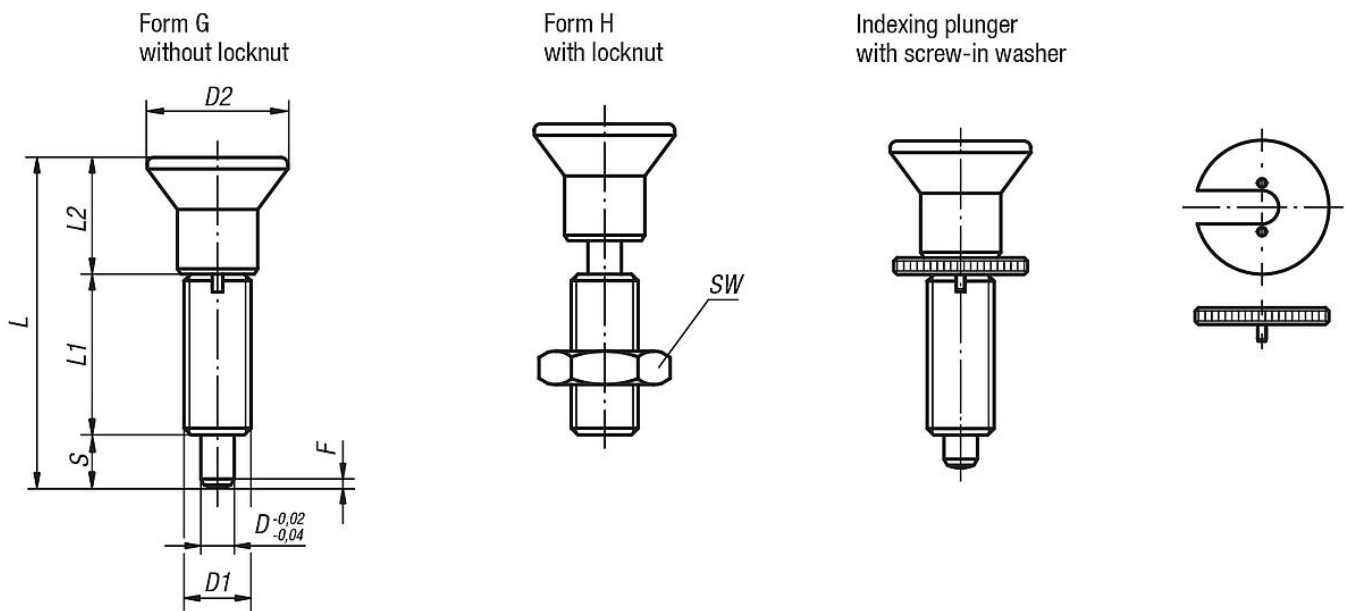
Form H: with locknut

1) Indexing plunger with screw-in washer

03093 Indexing plungers, steel or stainless steel, without collar, with plastic mushroom grip and extended indexing pin



Drawings



Overview of items

Order No.	Form	Main material	Surface finish body	D	D1	D2	L	L1	L2	Travel S	SW	Fx30°	Spring force initial pressure F1 approx. N	Spring force final pressure F2 approx. N	Order No. screw-in washer
03093-21903	G	steel	hardened	3	M6x0,75	14	33	17	11	5	-	0,8	4,5	12	03094-99
03093-21004	G	steel	hardened	4	M8x1	18	40,5	21	13,5	6	-	1	6	15	03094-90
03093-21105	G	steel	hardened	5	M10x1	21	46,5	24	14,5	8	-	1,3	5	16	03094-91
03093-21206	G	steel	hardened	6	M12x1,5	25	54,7	28	17,7	9	-	1,8	6	18	03094-92
03093-21308	G	steel	hardened	8	M16x1,5	33	72	36	24	12	-	2,3	15	45	03094-93
03093-21410	G	steel	hardened	10	M20x1,5	33	79	40	24	15	-	2,8	15	43	03094-94
03093-21412	G	steel	hardened	12	M20x1,5	33	84	42	24	18	-	2,8	15	51	03094-94
03093-21516	G	steel	hardened	16	M24x2	40	104	50	30	24	-	3,2	20	60	03094-95
03093-201903	G	stainless steel	hardened	3	M6x0,75	14	33	17	11	5	-	0,8	4,5	12	03094-99
03093-201004	G	stainless steel	hardened	4	M8x1	18	40,5	21	13,5	6	-	1	6	15	03094-90
03093-201105	G	stainless steel	hardened	5	M10x1	21	46,5	24	14,5	8	-	1,3	5	16	03094-91
03093-201206	G	stainless steel	hardened	6	M12x1,5	25	54,7	28	17,7	9	-	1,8	6	18	03094-92
03093-201308	G	stainless steel	hardened	8	M16x1,5	33	72	36	24	12	-	2,3	15	45	03094-93
03093-201410	G	stainless steel	hardened	10	M20x1,5	33	79	40	24	15	-	2,8	15	43	03094-94
03093-201412	G	stainless steel	hardened	12	M20x1,5	33	84	42	24	18	-	2,8	15	51	03094-94
03093-201516	G	stainless steel	hardened	16	M24x2	40	104	50	30	24	-	3,2	20	60	03094-95
03093-211903	G	stainless steel	not hardened	3	M6x0,75	14	33	17	11	5	-	0,8	4,5	12	03094-99
03093-211004	G	stainless steel	not hardened	4	M8x1	18	40,5	21	13,5	6	-	1	6	15	03094-90
03093-211105	G	stainless steel	not hardened	5	M10x1	21	46,5	24	14,5	8	-	1,3	5	16	03094-91
03093-211206	G	stainless steel	not hardened	6	M12x1,5	25	54,7	28	17,7	9	-	1,8	6	18	03094-92
03093-211308	G	stainless steel	not hardened	8	M16x1,5	33	72	36	24	12	-	2,3	15	45	03094-93
03093-211410	G	stainless steel	not hardened	10	M20x1,5	33	79	40	24	15	-	2,8	15	43	03094-94
03093-211412	G	stainless steel	not hardened	12	M20x1,5	33	84	42	24	18	-	2,8	15	51	03094-94
03093-211516	G	stainless steel	not hardened	16	M24x2	40	104	50	30	24	-	3,2	20	60	03094-95
03093-22903	H	steel	hardened	3	M6x0,75	14	33	17	11	5	10	0,8	4,5	12	03094-99
03093-22004	H	steel	hardened	4	M8x1	18	40,5	21	13,5	6	13	1	6	15	03094-90
03093-22105	H	steel	hardened	5	M10x1	21	46,5	24	14,5	8	17	1,3	5	16	03094-91
03093-22206	H	steel	hardened	6	M12x1,5	25	54,7	28	17,7	9	19	1,8	6	18	03094-92
03093-22308	H	steel	hardened	8	M16x1,5	33	72	36	24	12	24	2,3	15	45	03094-93
03093-22410	H	steel	hardened	10	M20x1,5	33	79	40	24	15	30	2,8	15	43	03094-94
03093-22412	H	steel	hardened	12	M20x1,5	33	84	42	24	18	30	2,8	15	51	03094-94
03093-22516	H	steel	hardened	16	M24x2	40	104	50	30	24	36	3,2	20	60	03094-95
03093-202903	H	stainless steel	hardened	3	M6x0,75	14	33	17	11	5	10	0,8	4,5	12	03094-99
03093-202004	H	stainless steel	hardened	4	M8x1	18	40,5	21	13,5	6	13	1	6	15	03094-90
03093-202105	H	stainless steel	hardened	5	M10x1	21	46,5	24	14,5	8	17	1,3	5	16	03094-91
03093-202206	H	stainless steel	hardened	6	M12x1,5	25	54,7	28	17,7	9	19	1,8	6	18	03094-92
03093-202308	H	stainless steel	hardened	8	M16x1,5	33	72	36	24	12	24	2,3	15	45	03094-93
03093-202410	H	stainless steel	hardened	10	M20x1,5	33	79	40	24	15	30	2,8	15	43	03094-94

03093 Indexing plungers, steel or stainless steel, without collar, with plastic mushroom grip and extended indexing pin



Overview of items

Order No.	Form	Main material	Surface finish body	D	D1	D2	L	L1	L2	Travel S	SW	Fx30°	Spring force initial pressure F1 approx. N	Spring force final pressure F2 approx. N	Order No. screw-in washer
03093-202412	H	stainless steel	hardened	12	M20x1,5	33	84	42	24	18	30	2,8	15	51	03094-94
03093-202516	H	stainless steel	hardened	16	M24x2	40	104	50	30	24	36	3,2	20	60	03094-95
03093-212903	H	stainless steel	not hardened	3	M6x0,75	14	33	17	11	5	10	0,8	4,5	12	03094-99
03093-212004	H	stainless steel	not hardened	4	M8x1	18	40,5	21	13,5	6	13	1	6	15	03094-90
03093-212105	H	stainless steel	not hardened	5	M10x1	21	46,5	24	14,5	8	17	1,3	5	16	03094-91
03093-212206	H	stainless steel	not hardened	6	M12x1,5	25	54,7	28	17,7	9	19	1,8	6	18	03094-92
03093-212308	H	stainless steel	not hardened	8	M16x1,5	33	72	36	24	12	24	2,3	15	45	03094-93
03093-212410	H	stainless steel	not hardened	10	M20x1,5	33	79	40	24	15	30	2,8	15	43	03094-94
03093-212412	H	stainless steel	not hardened	12	M20x1,5	33	84	42	24	18	30	2,8	15	51	03094-94
03093-212516	H	stainless steel	not hardened	16	M24x2	40	104	50	30	24	36	3,2	20	60	03094-95