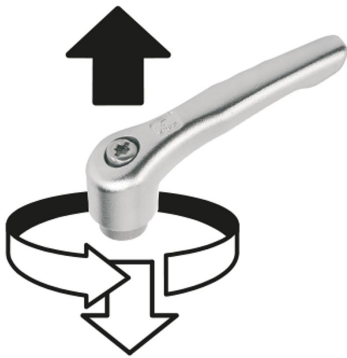


Item description/product images



lift to  
disengage



Description

**Material:**

Handle investment cast 1.4308.

Other steel parts 1.4305.

**Version:**

Handle electropolished.

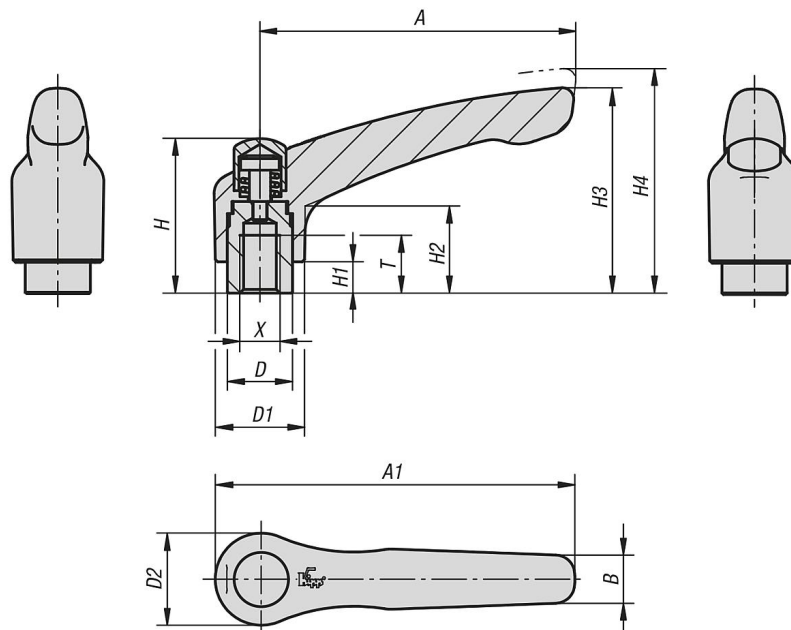
Steel parts bright.

**On request:**

Other threads and special versions.

Dimension "H1" available in other lengths at extra charge.

Drawings



# 06454 Clamping levers, stainless steel with internal thread and protective cap, threaded insert stainless steel



## Overview of items

Order No.	X	A	A1	B	D	D1	D2	H	H1	H2	H3	H4	T	No. of teeth
06454-9206	M6	65	74,5	10	13,5	18,5	19	32	6,5	17,5	42,5	45,5	12	20
06454-9208	M8	65	74,5	10	13,5	18,5	19	32	6,5	17,5	42,5	45,5	12	20
06454-9308	M8	80	91	11	16	21	22	41,5	10	24	54,5	58,5	14	22
06454-9310	M10	80	91	11	16	21	22	41,5	10	24	54,5	58,5	14	22