

Item description/product images



Description

Material:

Crank thermoplastic.
Cylinder grip thermoplastic and steel.

Version:

Black grey thermoplastic.
Steel parts black oxidised.

Note:

The hub cover is supplied unassembled. The crank handles can be secured to the shaft by cross-pinning or by parallel key together with a DIN 6912 cap screw and DIN 7349 washer. Two actions must be made to bring the safety cylinder grip into an operating position:

- Swing the grip out around the pivot shaft until it stops (90°).
- Push the grip in an axial direction into the lock position.

The pushed-in position is the most comfortable for cranking. The grip swings back automatically after releasing.

Versions with transverse bore are secured using the ISO 4027 (DIN 914) grub screw.

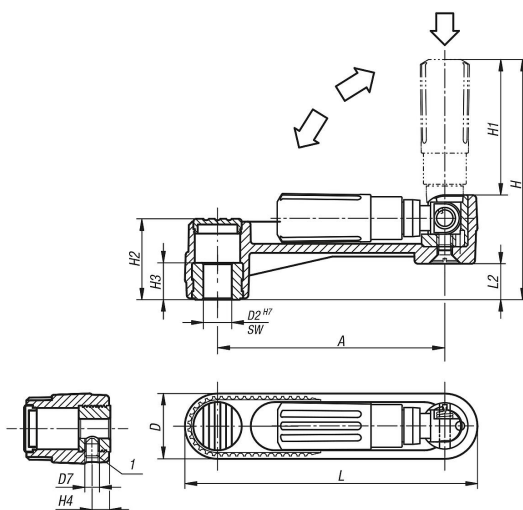
Accessory:

07161 Cap screws with low head DIN 6912

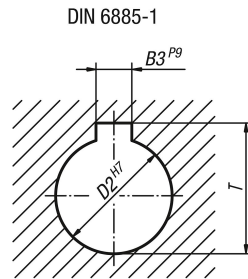
Drawing reference:

- 1) Position of the transverse bore to the keyway is offset by 90°.

Drawings



Drawings



Overview of items

Order No.	Version 1	Version 2	Component material	A	D	D2	D7	H	H1	H2	H3	H4	L	L2
06502-1108	reamed hole	without transverse hole	thermoplastic	80	24	8	-	84,2	47,5	28,5	13	-	104	12,7
06502-1110	reamed hole	without transverse hole	thermoplastic	80	24	10	-	84,2	47,5	28,5	13	-	104	12,7
06502-1210	reamed hole	without transverse hole	thermoplastic	100	29	10	-	104,2	58,5	35,5	13	-	129	15,7
06502-1212	reamed hole	without transverse hole	thermoplastic	100	29	12	-	104,2	58,5	35,5	13	-	129	15,7
06502-1312	reamed hole	without transverse hole	thermoplastic	125	36	12	-	139	82	44	18,5	-	161	19,5
06502-1314	reamed hole	without transverse hole	thermoplastic	125	36	14	-	139	82	44	18,5	-	161	19,5
06502-11086	reamed hole	with transverse bore	thermoplastic	80	24	8	M6	84,2	47,5	28,5	13	7,5	104	12,7
06502-11106	reamed hole	with transverse bore	thermoplastic	80	24	10	M6	84,2	47,5	28,5	13	7,5	104	12,7
06502-12106	reamed hole	with transverse bore	thermoplastic	100	29	10	M6	104,2	58,5	35,5	13	7,5	129	15,7
06502-12126	reamed hole	with transverse bore	thermoplastic	100	29	12	M6	104,2	58,5	35,5	13	7,5	129	15,7
06502-13126	reamed hole	with transverse bore	thermoplastic	125	36	12	M6	139	82	44	18,5	7,5	161	19,5
06502-13146	reamed hole	with transverse bore	thermoplastic	125	36	14	M6	139	82	44	18,5	7,5	161	19,5

Order No.	Version 1	Version 2	Component material	A	B3	D	D2	D7	H	H1	H2	H3	H4	L	L2	T
06502-110802	reamed hole with slot	without transverse hole	thermoplastic	80	2	24	8	-	84,2	47,5	28,5	13	-	104	12,7	9
06502-111003	reamed hole with slot	without transverse hole	thermoplastic	80	3	24	10	-	84,2	47,5	28,5	13	-	104	12,7	11,4
06502-121003	reamed hole with slot	without transverse hole	thermoplastic	100	3	29	10	-	104,2	58,5	35,5	13	-	129	15,7	11,4
06502-121204	reamed hole with slot	without transverse hole	thermoplastic	100	4	29	12	-	104,2	58,5	35,5	13	-	129	15,7	13,8
06502-131204	reamed hole with slot	without transverse hole	thermoplastic	125	4	36	12	-	139	82	44	18,5	-	161	19,5	13,8
06502-131405	reamed hole with slot	without transverse hole	thermoplastic	125	5	36	14	-	139	82	44	18,5	-	161	19,5	16,3
06502-1108026	reamed hole with slot	with transverse bore	thermoplastic	80	2	24	8	M6	84,2	47,5	28,5	13	7,5	104	12,7	9
06502-1110036	reamed hole with slot	with transverse bore	thermoplastic	80	3	24	10	M6	84,2	47,5	28,5	13	7,5	104	12,7	11,4
06502-1210036	reamed hole with slot	with transverse bore	thermoplastic	100	3	29	10	M6	104,2	58,5	35,5	13	7,5	129	15,7	11,4
06502-1212046	reamed hole with slot	with transverse bore	thermoplastic	100	4	29	12	M6	104,2	58,5	35,5	13	7,5	129	15,7	13,8
06502-1312046	reamed hole with slot	with transverse bore	thermoplastic	125	4	36	12	M6	139	82	44	18,5	7,5	161	19,5	13,8
06502-1314056	reamed hole with slot	with transverse bore	thermoplastic	125	5	36	14	M6	139	82	44	18,5	7,5	161	19,5	16,3

Order No.	Version 1	Version 2	Component material	A	D	D7	H	H1	H2	H3	H4	L	L2	SW
06502-2108	square socket	without transverse hole	thermoplastic	80	24	-	84,2	47,5	28,5	13	-	104	12,7	8
06502-2110	square socket	without transverse hole	thermoplastic	80	24	-	84,2	47,5	28,5	13	-	104	12,7	10
06502-2210	square socket	without transverse hole	thermoplastic	100	29	-	104,2	58,5	35,5	13	-	129	15,7	10
06502-2212	square socket	without transverse hole	thermoplastic	100	29	-	104,2	58,5	35,5	13	-	129	15,7	12
06502-2312	square socket	without transverse hole	thermoplastic	125	36	-	139	82	44	18,5	-	161	19,5	12
06502-2314	square socket	without transverse hole	thermoplastic	125	36	-	139	82	44	18,5	-	161	19,5	14
06502-21086	square socket	with transverse bore	thermoplastic	80	24	M6	84,2	47,5	28,5	13	7,5	104	12,7	8
06502-21106	square socket	with transverse bore	thermoplastic	80	24	M6	84,2	47,5	28,5	13	7,5	104	12,7	10
06502-22106	square socket	with transverse bore	thermoplastic	100	29	M6	104,2	58,5	35,5	13	7,5	129	15,7	10
06502-22126	square socket	with transverse bore	thermoplastic	100	29	M6	104,2	58,5	35,5	13	7,5	129	15,7	12
06502-23126	square socket	with transverse bore	thermoplastic	125	36	M6	139	82	44	18,5	7,5	161	19,5	12
06502-23146	square socket	with transverse bore	thermoplastic	125	36	M6	139	82	44	18,5	7,5	161	19,5	14