

Item description/product images



lift to
disengage



Description

Material:

Handle die-cast zinc DIN EN 12844.
Steel parts stainless steel 1.4305.

Version:

Handle plastic-coated.
Steel parts bright.

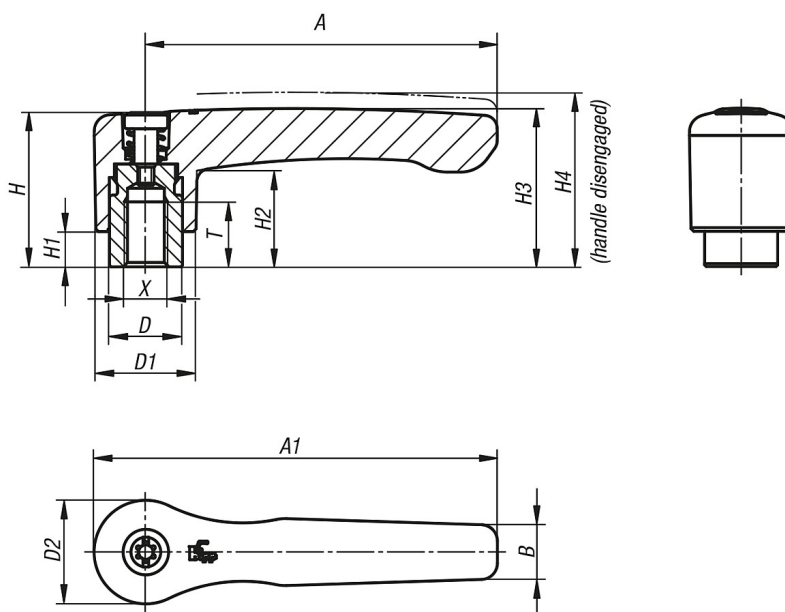
Note:

Standard colours are:
black satin finish, orange RAL 2004.

On request:

Other internal threads, colours and special versions.
Dimension "H1" available in other lengths at
extra charge

Drawings



Overview of items

Order No. black satin finish	Order No. orange	Size	X	T	D	D1	D2	H	H1	H2	H3	H4	A	A1	B	No. of teeth
06449-2061	06449-2062	2	M6	12	13,5	18,5	19,1	28,5	6,5	17,8	29,2	32,2	65	74,5	10,1	20
06449-2081	06449-2082	2	M8	12	13,5	18,5	19,1	28,5	6,5	17,8	29,2	32,2	65	74,5	10,1	20
06449-3081	06449-3082	3	M8	14	16	21,2	22	37	10	23,8	38	42	80	91	11,7	22

Overview of items

Order No. black satin finish	Order No. orange	Size	X	T	D	D1	D2	H	H1	H2	H3	H4	A	A1	B	No. of teeth
06449-3101	06449-3102	3	M10	14	16	21,2	22	37	10	23,8	38	42	80	91	11,7	22