

Item description/product images



Description

Material:

Crank thermoplastic.
Cylinder grip thermoplastic and steel.

Version:

Black grey thermoplastic.
Steel parts black oxidised.

Note:

The hub cover and the revolving cylinder grip are supplied unassembled.
To assemble, screw the grip into the tapped hole provided.
The crank handles can be secured to the shaft by cross-pinning or by parallel key together with a DIN 6912 cap screw and DIN 7349 washer.
Versions with transverse bore are secured using the ISO 4027 (DIN 914) grub screw.

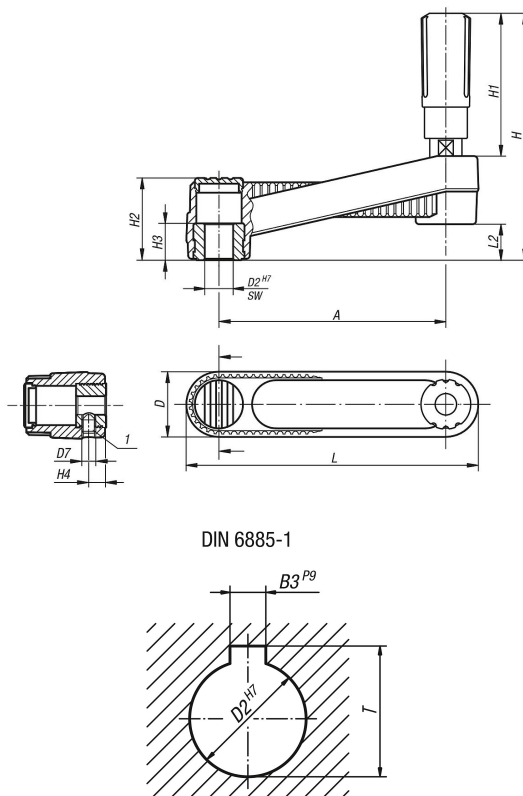
Accessory:

07161 Cap screws with low head DIN 6912

Drawing reference:

1) Position of the transverse bore to the keyway is offset by 90°.

Drawings



Overview of items

| Order No. | Version 1 | Version 2 | Component material | A | D | D2 | D7 | H | H1 | H2 | H3 | H4 | L | L2 |
|------------|-------------|-------------------------|--------------------|----|----|----|----|------|------|------|----|----|-----|------|
| 06500-3108 | reamed hole | without transverse hole | steel | 80 | 24 | 8 | - | 85,8 | 49,1 | 28,5 | 13 | - | 104 | 12,7 |

Overview of items

| Order No. | Version 1 | Version 2 | Component material | A | D | D2 | D7 | H | H1 | H2 | H3 | H4 | L | L2 |
|-------------|-------------|-------------------------|--------------------|-----|----|----|----|-------|------|------|------|-----|-----|------|
| 06500-3110 | reamed hole | without transverse hole | steel | 80 | 24 | 10 | - | 85,8 | 49,1 | 28,5 | 13 | - | 104 | 12,7 |
| 06500-3210 | reamed hole | without transverse hole | steel | 100 | 29 | 10 | - | 107,1 | 61,4 | 35,5 | 13 | - | 129 | 15,7 |
| 06500-3212 | reamed hole | without transverse hole | steel | 100 | 29 | 12 | - | 107,1 | 61,4 | 35,5 | 13 | - | 129 | 15,7 |
| 06500-3312 | reamed hole | without transverse hole | steel | 125 | 36 | 12 | - | 139,5 | 82,5 | 44 | 18,5 | - | 161 | 19,5 |
| 06500-3314 | reamed hole | without transverse hole | steel | 125 | 36 | 14 | - | 139,5 | 82,5 | 44 | 18,5 | - | 161 | 19,5 |
| 06500-32126 | reamed hole | with transverse bore | steel | 100 | 29 | 12 | - | 107,1 | 61,4 | 35,5 | 13 | 7,5 | 129 | 15,7 |
| 06500-31086 | reamed hole | with transverse bore | steel | 80 | 24 | 8 | - | 85,8 | 49,1 | 28,5 | 13 | 7,5 | 104 | 12,7 |
| 06500-32106 | reamed hole | with transverse bore | steel | 100 | 29 | 10 | - | 107,1 | 61,4 | 35,5 | 13 | 7,5 | 129 | 15,7 |
| 06500-33146 | reamed hole | with transverse bore | steel | 125 | 36 | 14 | - | 139,5 | 82,5 | 44 | 18,5 | 7,5 | 161 | 19,5 |
| 06500-31106 | reamed hole | with transverse bore | steel | 80 | 24 | 10 | - | 85,8 | 49,1 | 28,5 | 13 | 7,5 | 104 | 12,7 |
| 06500-33126 | reamed hole | with transverse bore | steel | 125 | 36 | 12 | - | 139,5 | 82,5 | 44 | 18,5 | 7,5 | 161 | 19,5 |

| Order No. | Version 1 | Version 2 | Component material | A | B3 | D | D2 | D7 | H | H1 | H2 | H3 | H4 | L | L2 | T |
|---------------|-----------------------|-------------------------|--------------------|-----|----|----|----|----|-------|------|------|------|-----|-----|------|------|
| 06500-310802 | reamed hole with slot | without transverse hole | steel | 80 | 2 | 24 | 8 | - | 85,8 | 49,1 | 28,5 | 13 | - | 104 | 12,7 | 9 |
| 06500-311003 | reamed hole with slot | without transverse hole | steel | 80 | 3 | 24 | 10 | - | 85,8 | 49,1 | 28,5 | 13 | - | 104 | 12,7 | 11,4 |
| 06500-321003 | reamed hole with slot | without transverse hole | steel | 100 | 3 | 29 | 10 | - | 107,1 | 61,4 | 35,5 | 13 | - | 129 | 15,7 | 11,4 |
| 06500-321204 | reamed hole with slot | without transverse hole | steel | 100 | 4 | 29 | 12 | - | 107,1 | 61,4 | 35,5 | 13 | - | 129 | 15,7 | 13,8 |
| 06500-331204 | reamed hole with slot | without transverse hole | steel | 125 | 4 | 36 | 12 | - | 139,5 | 82,5 | 44 | 18,5 | - | 161 | 19,5 | 13,8 |
| 06500-331405 | reamed hole with slot | without transverse hole | steel | 125 | 5 | 36 | 14 | - | 139,5 | 82,5 | 44 | 18,5 | - | 161 | 19,5 | 16,3 |
| 06500-3212046 | reamed hole with slot | with transverse bore | steel | 100 | 4 | 29 | 12 | - | 107,1 | 61,4 | 35,5 | 13 | 7,5 | 129 | 15,7 | 13,8 |
| 06500-3312046 | reamed hole with slot | with transverse bore | steel | 125 | 4 | 36 | 12 | - | 139,5 | 82,5 | 44 | 18,5 | 7,5 | 161 | 19,5 | 13,8 |
| 06500-3210036 | reamed hole with slot | with transverse bore | steel | 100 | 3 | 29 | 10 | - | 107,1 | 61,4 | 35,5 | 13 | 7,5 | 129 | 15,7 | 11,4 |
| 06500-3110036 | reamed hole with slot | with transverse bore | steel | 80 | 3 | 24 | 10 | - | 85,8 | 49,1 | 28,5 | 13 | 7,5 | 104 | 12,7 | 11,4 |
| 06500-3108026 | reamed hole with slot | with transverse bore | steel | 80 | 2 | 24 | 8 | - | 85,8 | 49,1 | 28,5 | 13 | 7,5 | 104 | 12,7 | 9 |
| 06500-3314056 | reamed hole with slot | with transverse bore | steel | 125 | 5 | 36 | 14 | - | 139,5 | 82,5 | 44 | 18,5 | 7,5 | 161 | 19,5 | 16,3 |

| Order No. | Version 1 | Version 2 | Component material | A | D | D7 | H | H1 | H2 | H3 | H4 | L | L2 | SW |
|-------------|---------------|-------------------------|--------------------|-----|----|----|-------|------|------|------|-----|-----|------|----|
| 06500-4108 | square socket | without transverse hole | steel | 80 | 24 | - | 85,8 | 49,1 | 28,5 | 13 | - | 104 | 12,7 | 8 |
| 06500-4110 | square socket | without transverse hole | steel | 80 | 24 | - | 85,8 | 49,1 | 28,5 | 13 | - | 104 | 12,7 | 10 |
| 06500-4210 | square socket | without transverse hole | steel | 100 | 29 | - | 107,1 | 61,4 | 35,5 | 13 | - | 129 | 15,7 | 10 |
| 06500-4212 | square socket | without transverse hole | steel | 100 | 29 | - | 107,1 | 61,4 | 35,5 | 13 | - | 129 | 15,7 | 12 |
| 06500-4312 | square socket | without transverse hole | steel | 125 | 36 | - | 139,5 | 82,5 | 44 | 18,5 | - | 161 | 19,5 | 12 |
| 06500-4314 | square socket | without transverse hole | steel | 125 | 36 | - | 139,5 | 82,5 | 44 | 18,5 | - | 161 | 19,5 | 14 |
| 06500-41086 | square socket | with transverse bore | steel | 80 | 24 | - | 85,8 | 49,1 | 28,5 | 13 | 7,5 | 104 | 12,7 | 8 |
| 06500-41106 | square socket | with transverse bore | steel | 80 | 24 | - | 85,8 | 49,1 | 28,5 | 13 | 7,5 | 104 | 12,7 | 10 |
| 06500-42106 | square socket | with transverse bore | steel | 100 | 29 | - | 107,1 | 61,4 | 35,5 | 13 | 7,5 | 129 | 15,7 | 10 |
| 06500-42126 | square socket | with transverse bore | steel | 100 | 29 | - | 107,1 | 61,4 | 35,5 | 13 | 7,5 | 129 | 15,7 | 12 |
| 06500-43126 | square socket | with transverse bore | steel | 125 | 36 | - | 139,5 | 82,5 | 44 | 18,5 | 7,5 | 161 | 19,5 | 12 |
| 06500-43146 | square socket | with transverse bore | steel | 125 | 36 | - | 139,5 | 82,5 | 44 | 18,5 | 7,5 | 161 | 19,5 | 14 |