

## Item description/product images

**Description****Material:**

Handle die-cast zinc DIN EN 12844.  
Steel parts stainless steel 1.4305.

**Version:**

Handle plastic-coated or high-gloss chromed.  
Steel parts bright.

**Note:**

Δ Add the desired lever colour here.

Standard colours are:

black satin finish, orange RAL 2004, ruby red RAL 3003, silver metallic, high-gloss chromed.

**On request:**

Other internal threads, colours and special versions.

Dimension "H1" available in other lengths at extra charge.

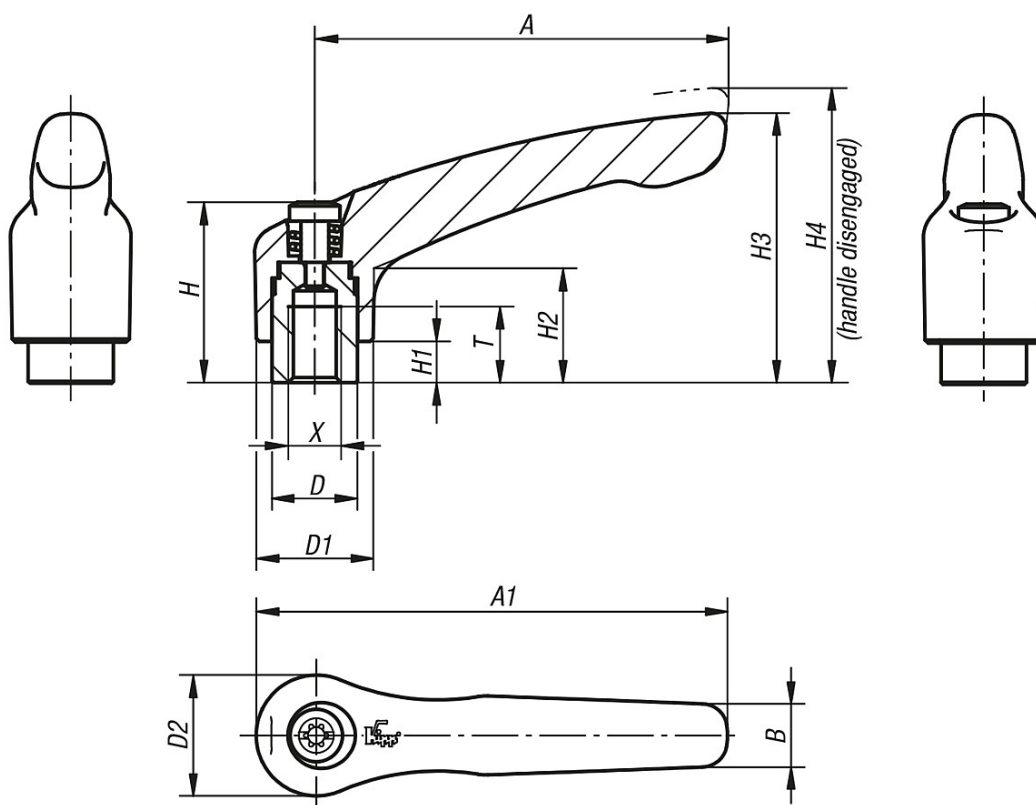
Item description/product images



Item description/product images



Drawings



Overview of items

| Order No.  | Size | X  | T | D  | D1 | D2 | H    | H1 | H2   | H3 | H4 | A  | A1 | B | No. of teeth |
|------------|------|----|---|----|----|----|------|----|------|----|----|----|----|---|--------------|
| 06451-003Δ | 0    | M3 | 9 | 10 | 13 | 14 | 24,5 | 4  | 14,5 | 30 | 33 | 30 | 37 | 7 | 16           |
| 06451-004Δ | 0    | M4 | 9 | 10 | 13 | 14 | 24,5 | 4  | 14,5 | 30 | 33 | 30 | 37 | 7 | 16           |
| 06451-005Δ | 0    | M5 | 9 | 10 | 13 | 14 | 24,5 | 4  | 14,5 | 30 | 33 | 30 | 37 | 7 | 16           |
| 06451-104Δ | 1    | M4 | 9 | 10 | 13 | 14 | 24,5 | 4  | 14,5 | 31 | 34 | 40 | 47 | 7 | 16           |
| 06451-105Δ | 1    | M5 | 9 | 10 | 13 | 14 | 24,5 | 4  | 14,5 | 31 | 34 | 40 | 47 | 7 | 16           |
| 06451-106Δ | 1    | M6 | 9 | 10 | 13 | 14 | 24,5 | 4  | 14,5 | 31 | 34 | 40 | 47 | 7 | 16           |

## Overview of items

| Order No.  | Size | X   | T  | D    | D1   | D2   | H    | H1  | H2   | H3   | H4   | A   | A1   | B   | No. of teeth |
|------------|------|-----|----|------|------|------|------|-----|------|------|------|-----|------|-----|--------------|
| 06451-206Δ | 2    | M6  | 12 | 13,5 | 18,5 | 19   | 28,5 | 6,5 | 17,5 | 42,5 | 45,5 | 65  | 74,5 | 9,5 | 20           |
| 06451-208Δ | 2    | M8  | 12 | 13,5 | 18,5 | 19   | 28,5 | 6,5 | 17,5 | 42,5 | 45,5 | 65  | 74,5 | 9,5 | 20           |
| 06451-308Δ | 3    | M8  | 14 | 16   | 21   | 22   | 37   | 10  | 24   | 54,5 | 58,5 | 80  | 91   | 11  | 22           |
| 06451-310Δ | 3    | M10 | 14 | 16   | 21   | 22   | 37   | 10  | 24   | 54,5 | 58,5 | 80  | 91   | 11  | 22           |
| 06451-410Δ | 4    | M10 | 17 | 19   | 27   | 27,5 | 43   | 10  | 27   | 63   | 67,5 | 95  | 109  | 13  | 24           |
| 06451-412Δ | 4    | M12 | 17 | 19   | 27   | 27,5 | 43   | 10  | 27   | 63   | 67,5 | 95  | 109  | 13  | 24           |
| 06451-512Δ | 5    | M12 | 23 | 23   | 31   | 32   | 49   | 12  | 31,5 | 73   | 77,5 | 110 | 126  | 15  | 26           |
| 06451-516Δ | 5    | M16 | 23 | 23   | 31   | 32   | 49   | 12  | 31,5 | 73   | 77,5 | 110 | 126  | 15  | 26           |