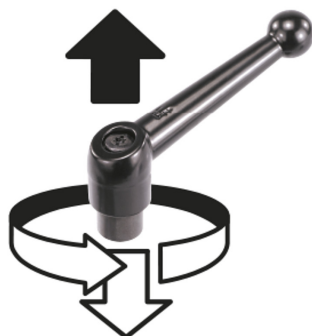


Item description/product images



lift to
disengage

**Description****Material:**

Handle die-cast zinc DIN EN 12844.
Steel parts stainless steel 1.4305.

Version:

Handle plastic-coated.
Steel parts bright.

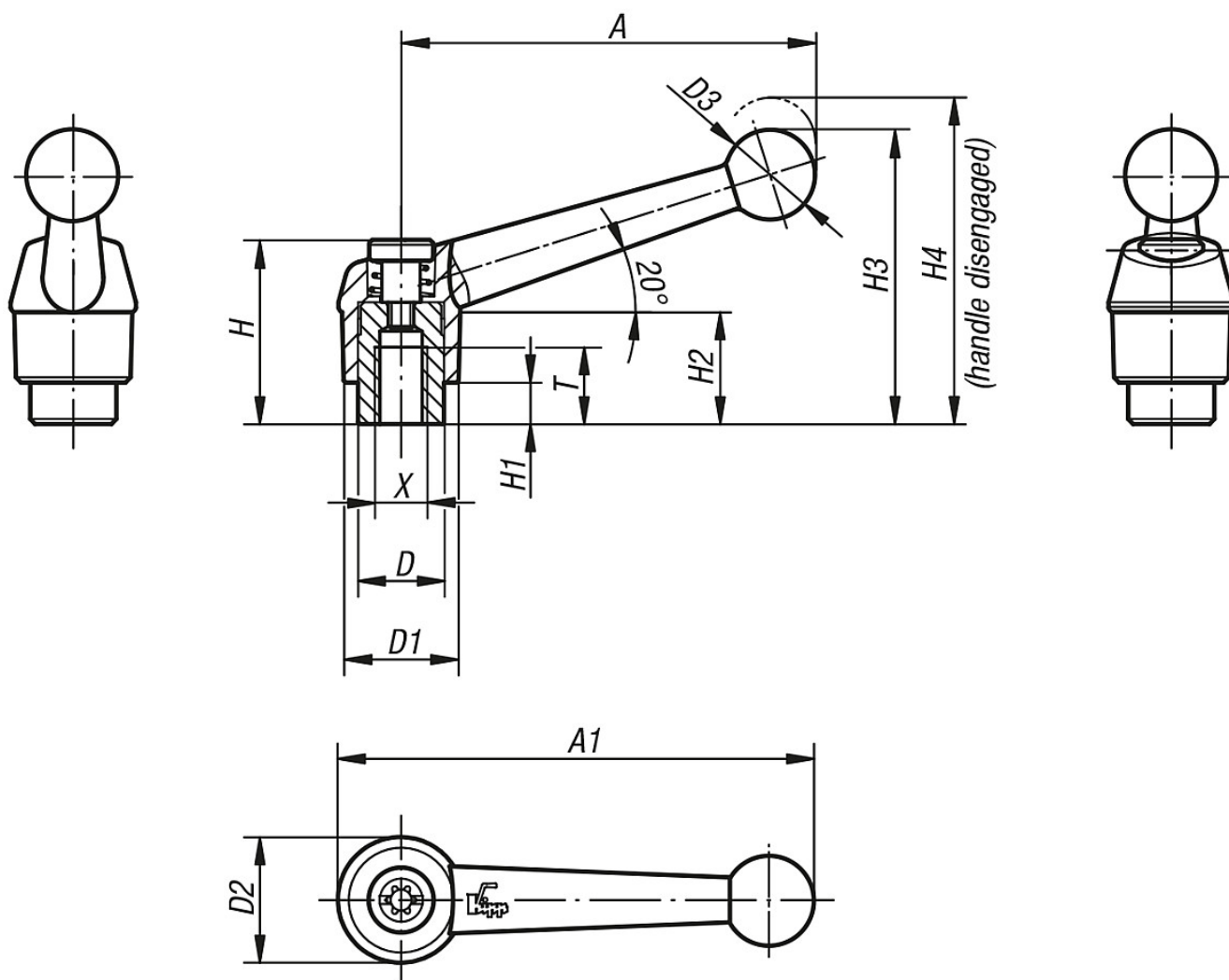
Note:

Standard colours are:
black satin finish, silver metallic.

On request:

Other internal threads, colours and special versions.
Dimension "H1" available in other lengths at extra charge.

Drawings



Overview of items

Order No. black satin finish	Order No. silver metallic	Size	X	T	D	D1	D2	D3	H	H1	H2	H3	H4	A	A1	No. of teeth
06411-1041	06411-1043	1	M4	9	10	13	14	10,5	24,5	4	15	32,5	35,5	39	46	16
06411-1051	06411-1053	1	M5	9	10	13	14	10,5	24,5	4	15	32,5	35,5	39	46	16
06411-1061	06411-1063	1	M6	9	10	13	14	10,5	24,5	4	15	32,5	35,5	39	46	16
06411-2061	06411-2063	2	M6	12	13,5	18	18,5	15,5	28,5	6,5	16,5	45,5	49,5	64	73	20
06411-2081	06411-2083	2	M8	12	13,5	18	18,5	15,5	28,5	6,5	16,5	45,5	49,5	64	73	20
06411-3081	06411-3083	3	M8	14	16	21	22	17	37	10	23	57,5	61,5	79	90	22
06411-3101	06411-3103	3	M10	14	16	21	22	17	37	10	23	57,5	61,5	79	90	22
06411-4101	06411-4103	4	M10	17	19	25	26	19	42,5	10	26	67	72	95	108	24
06411-4121	06411-4123	4	M12	17	19	25	26	19	42,5	10	26	67	72	95	108	24
06411-5121	06411-5123	5	M12	23	23	30	31	22	49	12	32	79	84	110	126	26
06411-5161	06411-5163	5	M16	23	23	30	31	22	49	12	32	79	84	110	126	26