

Item description/product images



Description

Material:

Black thermoset PF 31.  
Hub nickel-plated steel or bright 1.4305 stainless steel.

Version:

High-gloss polished.

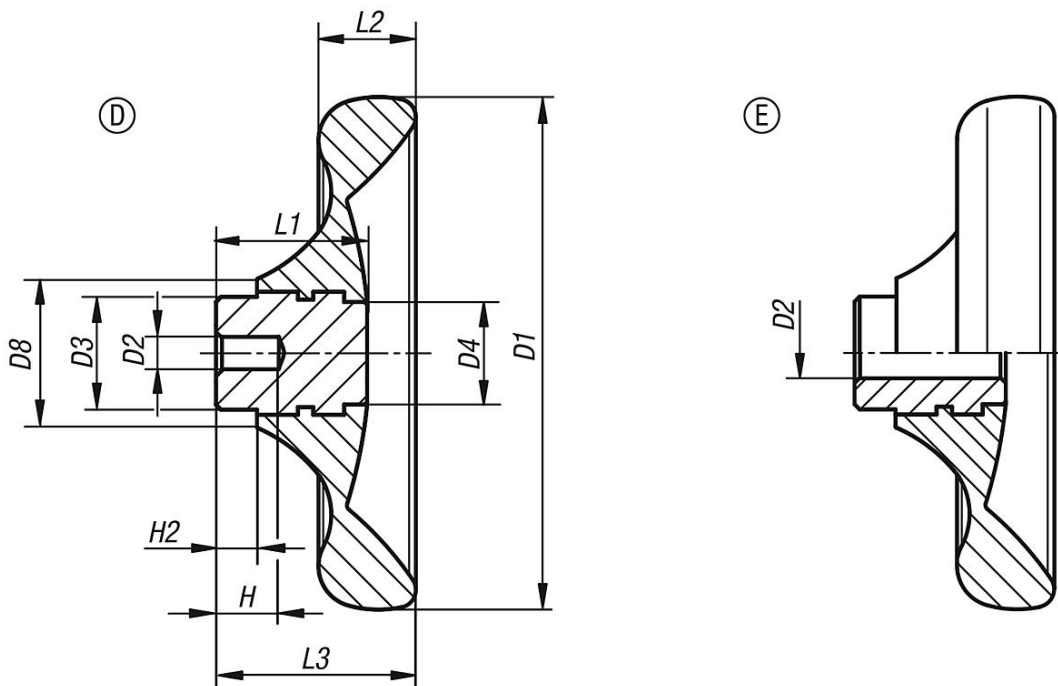
On request:

Other reamed hole sizes.

Drawing reference:

Form D: pilot hole  
Form E: reamed hole

Drawings



Overview of items

Handwheels disc, without grip, bush steel

Order No.	Form	Version 1	Component material	D1	D2	D3	D4	D8	H	H2	L1	L2	L3
06288-0100X06	D	pre-drilled	steel	100	6	22	20	29	12	8	29,5	19	39
06288-0125X08	D	pre-drilled	steel	125	8	26	21	34	15	8	34	24	46
06288-0140X08	D	pre-drilled	steel	140	8	30	25	39	16	8	38,5	27	52
06288-0160X10	D	pre-drilled	steel	160	10	33	30	43	20	8	41,3	30,1	57
06288-1100X10	E	reamed hole	steel	100	10H8	22	20	29	-	8	29,5	19	39
06288-1125X12	E	reamed hole	steel	125	12H8	26	21	34	-	8	34	24	46
06288-1140X14	E	reamed hole	steel	140	14H8	30	25	39	-	8	38,5	27	52
06288-1160X16	E	reamed hole	steel	160	16H8	33	30	43	-	8	41,3	30,1	57
06288-1160X18	E	reamed hole	steel	160	18H8	33	30	43	-	8	41,3	30,1	57
06288-2100X06	D	pre-drilled	stainless steel	100	6	22	20	29	12	8	29,5	19	39
06288-2125X08	D	pre-drilled	stainless steel	125	8	26	21	34	15	8	34	24	46

## Overview of items

Order No.	Form	Version 1	Component material	D1	D2	D3	D4	D8	H	H2	L1	L2	L3
06288-2140X08	D	pre-drilled	stainless steel	140	8	30	25	39	16	8	38,5	27	52
06288-2160X10	D	pre-drilled	stainless steel	160	10	33	30	43	20	8	41,3	30,1	57
06288-3100X10	E	reamed hole	stainless steel	100	10H7	22	20	29	-	8	29,5	19	39
06288-3125X12	E	reamed hole	stainless steel	125	12H7	26	21	34	-	8	34	24	46
06288-3140X14	E	reamed hole	stainless steel	140	14H7	30	25	39	-	8	38,5	27	52
06288-3160X16	E	reamed hole	stainless steel	160	16H7	33	30	43	-	8	41,3	30,1	57
06288-3160X18	E	reamed hole	stainless steel	160	18H7	33	30	43	-	8	41,3	30,1	57