

Item description/product images



Description

Material:

Handwheel, reinforced and stabilised polyamide.  
 Centre caps, polyamide.  
 Centre bush and tapped insert for cylinder grip, steel.

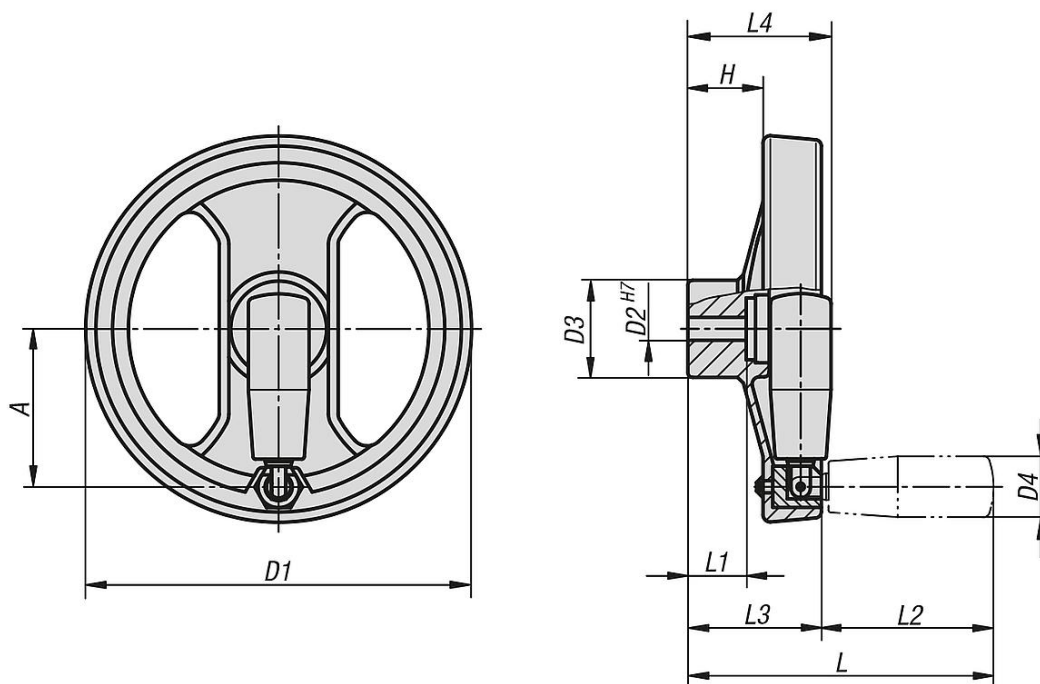
Version:

Handwheel, oil and grease resistant, black (RAL 9011), satin finish.  
 Centre caps, grey (RAL 7035).  
 Centre bush and taped insert for folding grip, black oxidised.

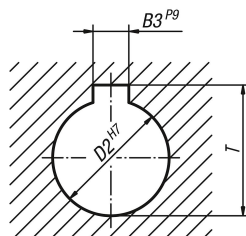
On request:

Other cap colours.  
 Special versions.

Drawings



DIN 6885-1



Overview of items

Order No. reamed hole	Order No. reamed hole with slot	D1	D2	D3	D4	A	H	L	L1	L2	L3	L4	B3	T
06255-6130X12	06255-7130X12	129	12H7	32	20	51	29	111	20	59	52	53	-/4	-/13,8
06255-6130X14	06255-7130X14	129	14H7	32	20	51	29	111	20	59	52	53	-/5	-/16,3

## Overview of items

Order No. reamed hole	Order No. reamed hole with slot	D1	D2	D3	D4	A	H	L	L1	L2	L3	L4	B3	T
06255-6160X14	06255-7160X14	159	14H7	40	25	65	31	126	24	71	55	59	-/5	-/16,3
06255-6160X16	06255-7160X16	159	16H7	40	25	65	31	126	24	71	55	59	-/5	-/18,3
06255-6200X16	06255-7200X16	200	16H7	54,5	27	80	33	160	28	91	69	69	-/5	-/18,3
06255-6200X20	06255-7200X20	200	20H7	54,5	27	80	33	160	28	91	69	69	-/6	-/22,8
06255-6345X20	06255-7345X20	346	20H7	67,5	27	148	43,5	144	32	91	80	80	-/6	-/22,8