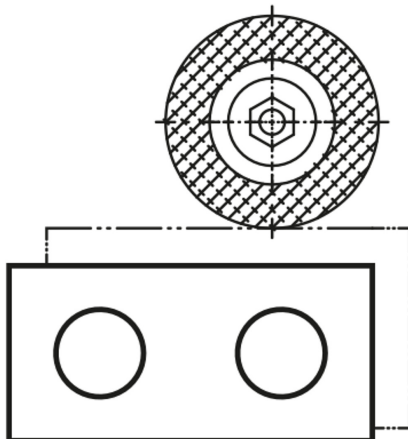
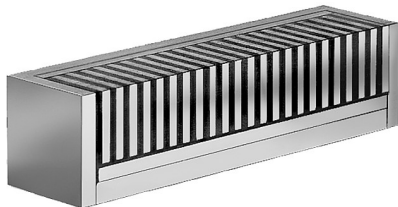


Item description/product images



Description

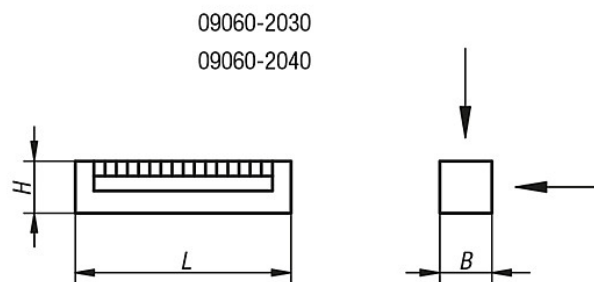
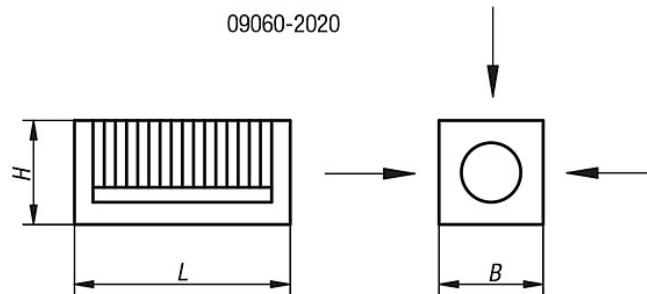
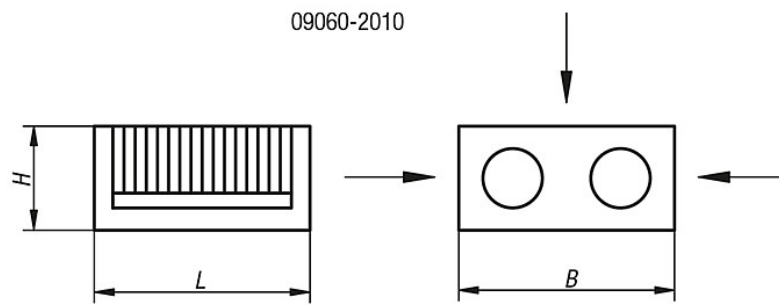
Note:

The workholding magnets 09060-2010 to 09060-2030 consist of a permanent magnetic system with fine pole divisions (4 mm) which are effective on two or three faces.

To clamp extremely thin steel parts we recommend the magnet 09060-2040 with the finest pole division of 1.3 mm. The magnetic lifespan of the workholding magnets under conditions prevalent in industrial machining is unlimited.

Approximately half the height of the workholding magnets can be ground down or polished away with no significant impairment of the magnetic strength.

Drawings



Overview of items

Order No.	L	B	H	Max. angular deviation	Magnetic surfaces mm
09060-2010	100	100	50	10'	1x 100x100 2x 100x50
09060-2020	100	50	50	10'	3x 100x50
09060-2030	100	25	25	10'	2x 100x25
09060-2040	100	25	25	10'	2x 100x25

