

Item description/product images

**miniature****Description****Material:**

Spider polyurethane hardness Shore 98A.
Hub aluminium.

Version:

Bright.

Note:

Clamping the hub with a grub screw is a cost-effective alternative to the elastomer dog couplings with radial clamping hub (23022). Short mounting times.
The couplings can be mounted completely assembled or plug-in mounting is also possible. Lightly oil the spider to ease assembly. Take note of the required tightening torque for the grub screw. To ease removal we recommend milling a flat on the shaft.

Assembly:

The shaft to hub bore fit is a transition fit. The play should be min. 0.01 mm and max. 0.04 mm i.e.

shaft: \emptyset 6 f7

hub: \emptyset 6 H8.

Bores smaller than D1/D2 min. are possible, however an optimal transfer of the couplings nominal torque is no longer guaranteed.

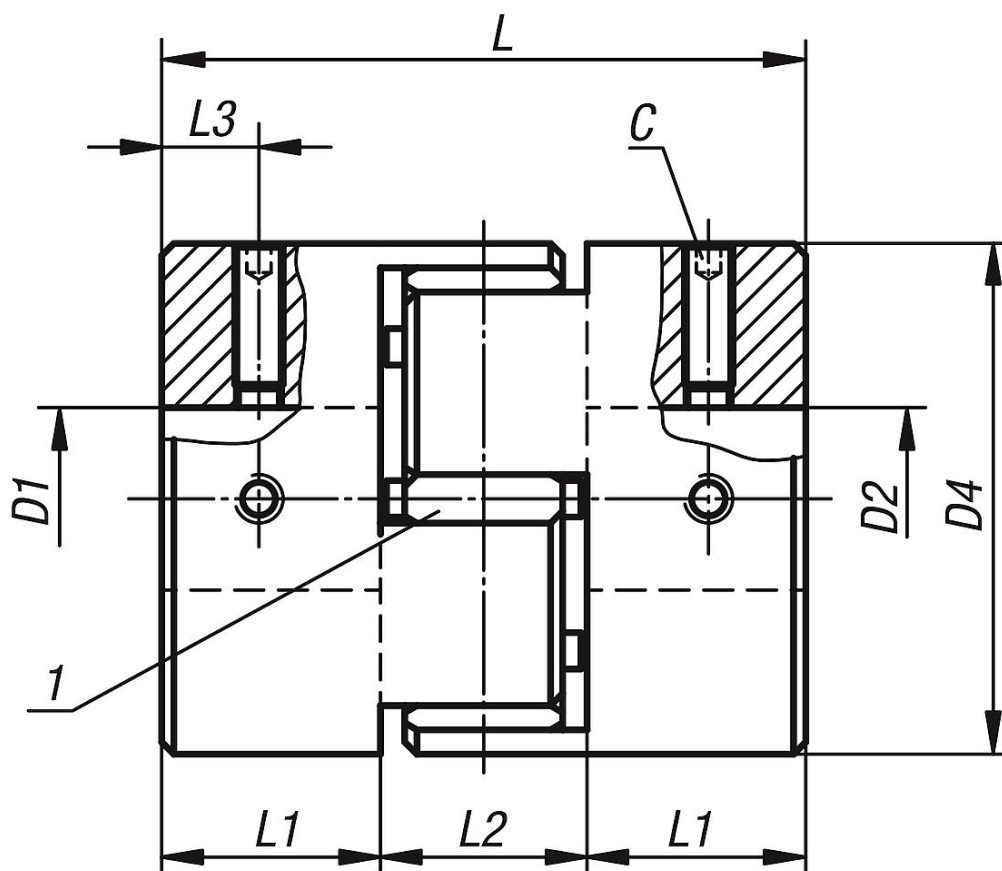
On request:

Hub bores D1 and D2 with separate tolerance class or range.

Drawing reference:

1) elastomer spider

Drawings



Overview of items

Order No.	Size	Nominal torque Nm	Moment of inertia (10 ⁻³ kgm ²)	Static resistance to torsion Nm/arcmin	Max. axial shaft displacement ±	Max. lateral shaft displacement	Tightening torque of screws Nm
23023-0020	2	2	0,00021	0,007	0,6	0,1	0,7
23023-0050	5	5	0,001	0,016	0,8	0,1	0,7
23023-0125	12,5	12,5	0,0059	0,038	1	0,1	1,7

Order No.	D1/D2 predrilled	D1/D2 min.	D1/D2 max.	D4	L	L1	L2	L3	C (DIN 916)
23023-0020	3	3	6	14	22	7	8	3,5	M3
23023-0050	5	5	9,53	20	30	10	10	5	M3
23023-0125	8	8	14	30	35	11	13	5,5	M4