

## Item description/product images

**Description****Material:**

Steel 1.7225.

Stainless steel 1.4305.

**Version:**

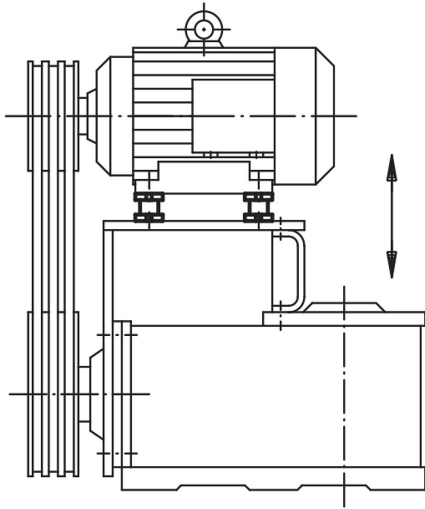
Steel version trivalent blue passivated.

Stainless steel version bright.

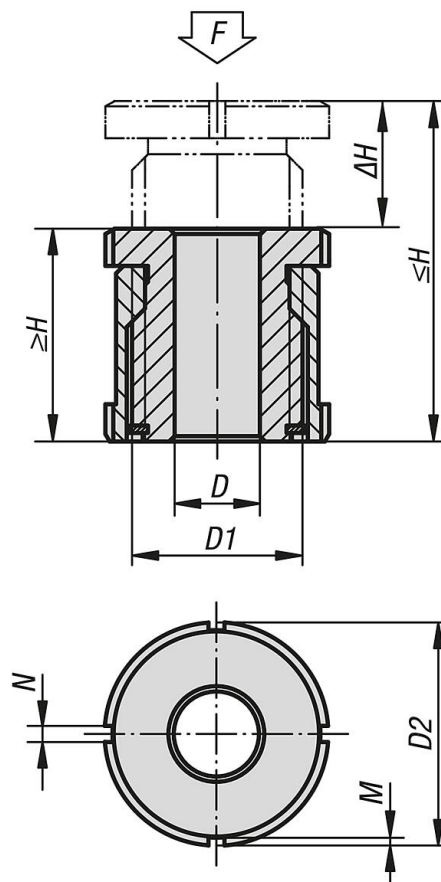
**Note:**

Levelling sets are used for mounting, levelling and aligning motors, aggregates, drive units and assembly lines. They are characterised by their wide adjustment range from 15 mm to 40 mm. Other sizes available on request.

The static additional load  $F_1$  is effective after deducting the tensioning force (screw 8.8,  $\mu_m = 0.125$ ) from the total load  $F$ .



Drawings



Overview of items

Order No.	Main material	D	for screw	D1	D2	H min.	H max.	ΔH	N	M	F kN	F1 kN
27700-01504	high carbon steel	4,5	M4	M15x1	25	28	43	15	4	2	40	36
27700-01505	high carbon steel	5,5	M5	M15x1	25	28	43	15	4	2	40	33,4
27700-01506	high carbon steel	6,6	M6	M15x1	25	28	43	15	4	2	40	30,7
27700-02006	high carbon steel	6,6	M6	M20x1	32	35	55	20	4	2	65	55,7
27700-02008	high carbon steel	9	M8	M20x1	32	35	55	20	4	2	65	48
27700-02010	high carbon steel	11	M10	M20x1	32	35	55	20	4	2	65	37,9
27700-02510	high carbon steel	11	M10	M30x1,5	45	42	67	25	5	2	120	92,9
27700-02512	high carbon steel	13,5	M12	M30x1,5	45	42	67	25	5	2	120	80,4
27700-02516	high carbon steel	17,5	M16	M30x1,5	45	42	67	25	5	2	120	45,5
27700-03216	high carbon steel	17,5	M16	M40x1,5	58	54	86	32	6	2,5	210	136
27700-03220	high carbon steel	22	M20	M40x1,5	58	54	86	32	6	2,5	210	90
27700-03224	high carbon steel	26	M24	M40x1,5	58	54	86	32	6	2,5	210	37
27700-04020	high carbon steel	22	M20	M50x1,5	70	66	106	40	6	2,5	330	210
27700-04024	high carbon steel	26	M24	M50x1,5	70	66	106	40	6	2,5	330	157
27700-04030	high carbon steel	33	M30	M50x1,5	70	66	106	40	6	2,5	330	53
27700-015041	stainless steel	4,5	M4	M15x1	25	28	43	15	4	2	27,1	24,14
27700-015051	stainless steel	5,5	M5	M15x1	25	28	43	15	4	2	27,1	22,24
27700-015061	stainless steel	6,6	M6	M15x1	25	28	43	15	4	2	27,1	20,26
27700-020061	stainless steel	6,6	M6	M20x1	32	35	55	20	4	2	43,4	36,56
27700-020081	stainless steel	9	M8	M20x1	32	35	55	20	4	2	43,4	30,86
27700-020101	stainless steel	11	M10	M20x1	32	35	55	20	4	2	43,4	23,41
27700-025101	stainless steel	11	M10	M30x1,5	45	42	67	25	5	2	84	64,01
27700-025121	stainless steel	13,5	M12	M30x1,5	45	42	67	25	5	2	84	54,82
27700-025161	stainless steel	17,5	M16	M30x1,5	45	42	67	25	5	2	84	28,9
27700-032161	stainless steel	17,5	M16	M40x1,5	58	54	86	32	6	2,5	148	92,9
27700-032201	stainless steel	22	M20	M40x1,5	58	54	86	32	6	2,5	148	59,08
27700-032241	stainless steel	26	M24	M40x1,5	58	54	86	32	6	2,5	148	20,3

## Overview of items

Order No.	Main material	D	for screw	D1	D2	H min.	H max.	$\Delta H$	N	M	F kN	F1 kN
27700-040201	stainless steel	22	M20	M50x1,5	70	66	106	40	6	2,5	225	136,08
27700-040241	stainless steel	26	M24	M50x1,5	70	66	106	40	6	2,5	225	97,3
27700-040301	stainless steel	33	M30	M50x1,5	70	66	106	40	6	2,5	225	20,6