

Item description/product images



Description

Material:

Thermoplastic polyamide 66, reinforced with 30% fibreglass.

Version:

Black. Flat seal asbestos-free

Temperature range:

Temperature resistant with oil up to 100°C.

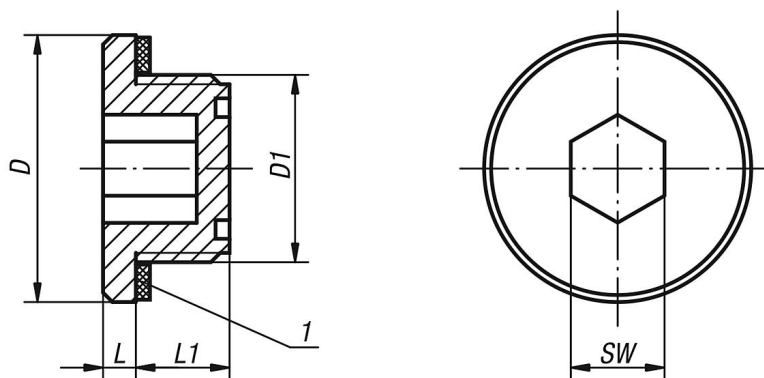
On request:

O-ring or materials with higher stability.

Drawing reference:

1) flat seal

Drawings



Overview of items

Order No.	D	D1	L	L1	SW	Tightening torque max. Nm
28020-18014	18,2	G1/4	2,5	8	6	3
28020-22038	22,5	G3/8	3,5	10,5	8	6
28020-28012	28,5	G1/2	3,5	10,5	10	8
28020-35034	35	G3/4	4	10,5	12	10
28020-201415	20	M14X1,5	2,5	8	6	3
28020-221615	22,5	M16X1,5	3,5	11	8	6
28020-261815	26	M18X1,5	3	10	10	7
28020-282015	28,5	M20X1,5	3	11	10	7
28020-282215	28,5	M22X1,5	3,5	10,5	10	7
28020-352615	35	M26X1,5	3	12	12	10