

Item description/product images



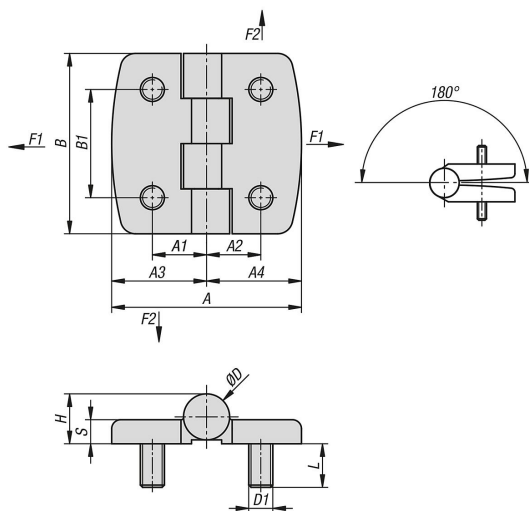
Description

**Material:**  
Stainless steel 1.4401.

**Note:**  
Hinges for inset doors.  
The hinges can be mounted right or left.  
The hinge pins welded both sides ensure that the hinges are protected against destruction.

The loading values given for the hinges are non-binding reference values without consideration of safety factors and exclude any liability. The values given are for information purposes only and do not constitute a legally binding assurance of properties. These load values were determined under laboratory conditions. Each user must determine individually whether the hinge is suitable for the respective application. Different materials onto which the hinges are installed, the type of mounting, weather conditions and wear can influence the determined values.

Drawings



Overview of items

Order No.	A	A1	A2	A3	A4	B	B1	D	D1	S	H	L	F1 N	F2 N
27875-10-05211212	42	12,5	12,5	21	21	40	25	10,2	M5	5	10,6	12	6500	1250
27875-10-06251515	50	15	15	25	25	50	30	12	M6	6	12,5	12	8250	1400
27875-10-08311818	63	18	18	31,5	31,5	60	36	15,3	M8	8	16,6	14,5	9000	1500

