

Item description/product images

**Description****Product description:**

The visually detectable operating parts are made from a EU10/2011 and FDA conform blue coloured plastic granulate. The colour ensures an optically discernible contrast between the operating parts and other media and materials. This means that in sensitive production sectors, e.g. foodstuff processing, plastic fragments of visually detectable operating parts can be identified and the risk of production downtimes or complaints are significantly reduced.

Material:

Thermoplastic (fibreglass reinforced polyamide), visually detectable, EU10/2011 and FDA conform.

Steel parts stainless steel 1.4404.

Version:

Thermoplastic ultra marine RAL 5002.

Steel parts bright stainless steel.

Application:

- Foodstuff industry
- Pharmaceutical industry
- Packaging industry

Temperature range:

-20°C to +100°C.

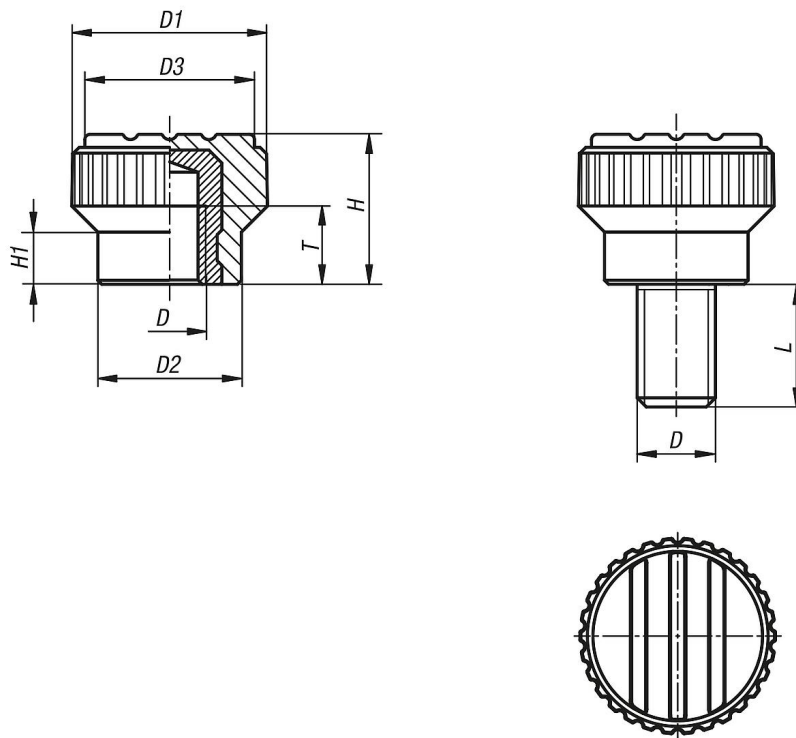
Advantages:

visually detectable.

Ultra marine RAL 5002.

Foodstuff conform material.

Drawings



Overview of items

Order No.	Thread type	D	D1	D2	D3	H	H1	L
06094-130005	internal thread	M5	15	11	13	11,5	4,3	-
06094-130005X10	external thread	M5	15	11	13	11,5	4,3	10
06094-130006X20	external thread	M6	15	11	13	11,5	4,3	20