

Item description/product images



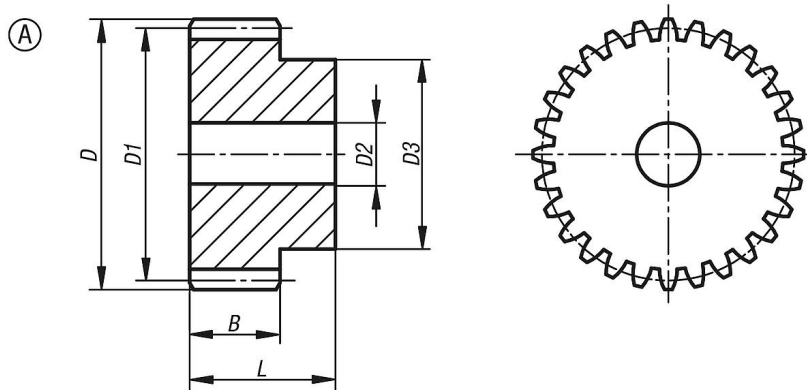
Description

Material:
Steel 1.0503 (C45).

Version:
Milled tooting, straight teeth
Tooting inductively hardened to 50 +4 HRC.
engagement angle 20°, bright.

Note:
Hardening changes the tooting quality to ca. 10-11.
The spur gears have a centre or pilot hole.

Drawings



Overview of items

Order No.	Form	Form definition	Module	No. of teeth	B	D	D1	D2 max.	D3	L
22401-0140400012	A	with hub	4	12	40	56	48	14	35	60
22401-0140400015	A	with hub	4	15	40	68	60	14	45	60
22401-0140400018	A	with hub	4	18	40	80	72	16	50	60
22401-0140400020	A	with hub	4	20	40	88	80	16	60	60
22401-0140400024	A	with hub	4	24	40	104	96	20	75	60
22401-0140400025	A	with hub	4	25	40	108	100	20	75	60
22401-0140400030	A	with hub	4	30	40	128	120	20	75	60
22401-0140400036	A	with hub	4	36	40	152	144	25	80	60