

Item description/product images



Description

Material:

Housing and cap POM.

Bearing ball stainless steel.

Load ball stainless steel or plastic.

Version:

Stainless steel, hardened.

Note:

The ball transfer units are made of a certified blue plastic which is suitable for use in the foodstuff sector. The ball transfer units are equipped with a gap-free and sealed cap, which prevents the formation of soiled edges.

The dirt holes underneath the housing enable particularly easy cleaning of the ball transfer units.

Conveying speed up to 1.5 m/s.

Foodstuff conform: Food Grade, EU Regulation 1935/2004, EU Regulation 10/2011.

Temperature range:

-30 °C to +50 °C (up to +30°C with plastic load balls)

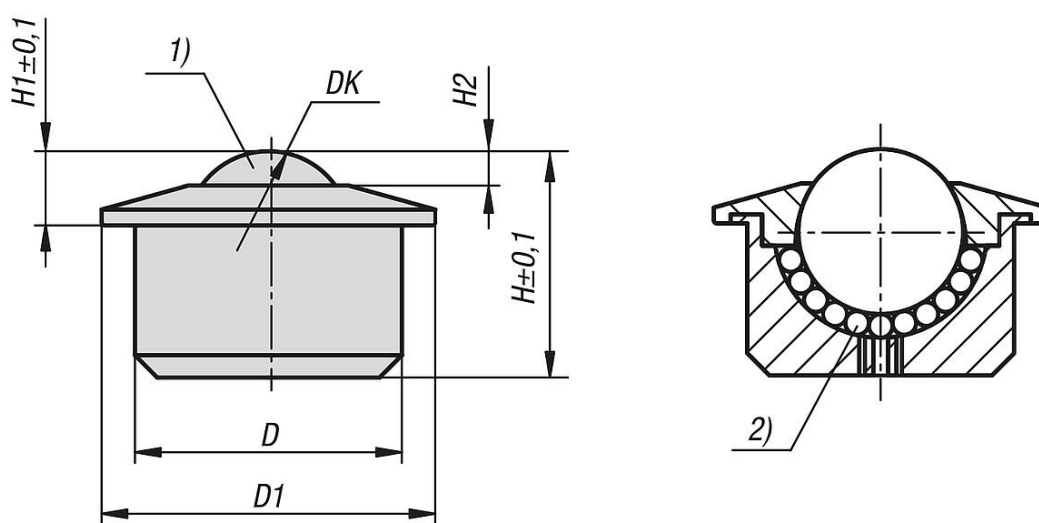
Drawing reference:

- 1) Load ball
- 2) Bearing balls

Form A: cap and housing POM, bearing balls stainless steel, load ball POM

Form B: cap and housing POM, bearing balls stainless steel, load ball stainless steel

Drawings



Overview of items

Order No.	Form	Form definition	D	D1	DK	H	H1	H2	Load rating C (N)	Kind of fastening
95153-150	A	ball POM	24	31	15,875	20,5	9,5	4,5	200	press-in
95153-220	A	ball POM	36	45	22,225	30,5	10	4,5	250	press-in
95153-300	A	ball POM	45	55	30	37	14	5,5	350	press-in
95153-440	A	ball POM	62	75	44,5	53,5	19	9	500	press-in