

Item description/product images



**Description**

**Material:**  
Stainless steel 1.4301.

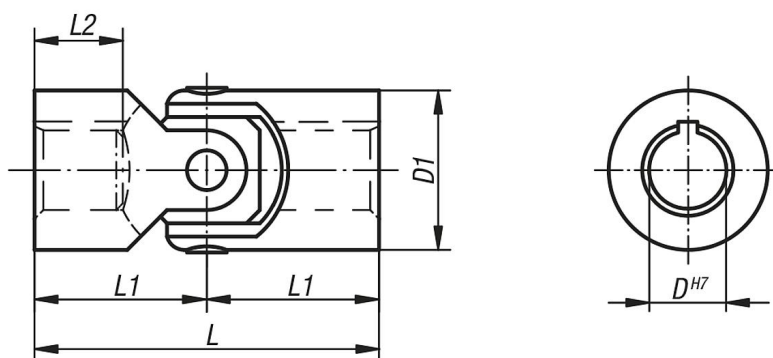
**Version:**  
Bright.

**Note:**  
Cardan joints with plain bearing can be swivelled by 45°. The maximum speed is 500 U/min.

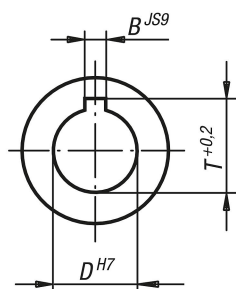
The cardan joints are mounted almost play-free. Due to their high corrosion resistance, they are particularly suitable for outdoor applications or for use in the chemical, foodstuff or pharmaceutical industries.

The components of the stainless steel cardan joints are not hardened. As a result, the operating conditions and the threshold values are far below those of steel cardan joints. The guidelines for the selection of stainless steel cardan joints must be individually determined by the user for the respective application.

Drawings



DIN 6885-1



Overview of items

Order No.	B	D	D1	L	L1	L2	Product type	T
23403-01-06034	-	6	16	34	17	8	reamed hole without slot	-
23403-01-08040	-	8	16	40	20	11	reamed hole without slot	-
23403-01-10048	-	10	22	48	24	12	reamed hole without slot	-
23403-01-12056	-	12	25	56	28	13	reamed hole without slot	-
23403-01-16068	-	16	32	68	34	16	reamed hole without slot	-

Overview of items

Order No.	B	D	D1	L	L1	L2	Product type	T
23403-01-20082	-	20	42	82	41	18	reamed hole without slot	-
23403-01-25108	-	25	50	108	54	26	reamed hole without slot	-
23403-01-106034	2	6	16	34	17	9	reamed hole with slot	7
23403-01-108040	2	8	16	40	20	11	reamed hole with slot	9
23403-01-110048	3	10	20	48	24	12	reamed hole with slot	11,4
23403-01-112056	4	12	25	56	28	14	reamed hole with slot	13,8
23403-01-116068	5	16	32	68	34	16	reamed hole with slot	18,3
23403-01-120082	6	20	40	82	41	20	reamed hole with slot	22,8
23403-01-125108	8	25	50	104	52	25	reamed hole with slot	28,3