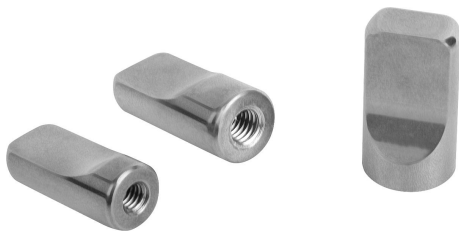


Item description/product images



Description

Material:

Stainless steel 1.4404.

Version:

Polished.

Note:

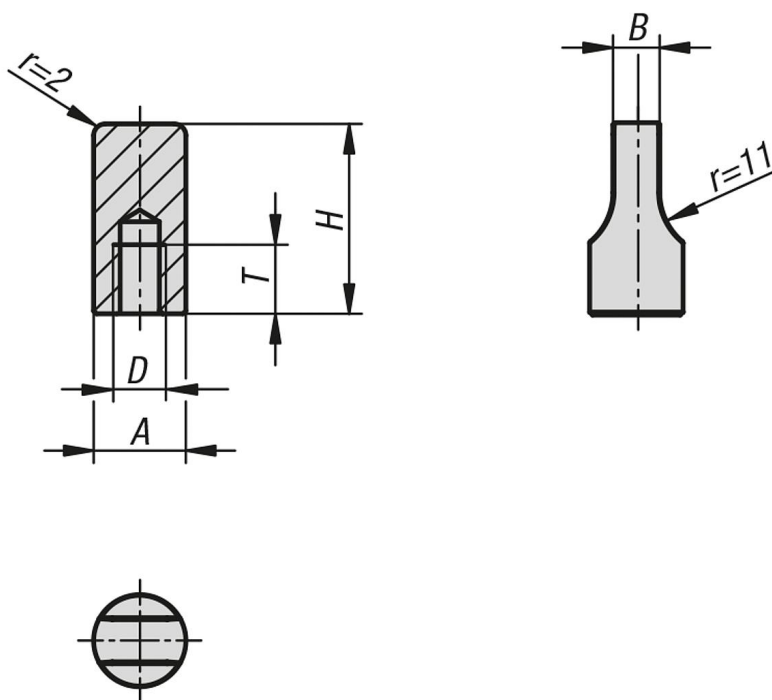
The wing nut makes simple screw connections feasible. They can be easily opened or re-tightened without tools.

The complete surface is polished with a surface finish of less than Ra 0.8 µm. The contour is rounded with smooth transitions. Due to the polished surface dirt and residue from products or cleaners seldom adheres. Easy cleaning is ensured.

On request:

Inch threads, external threads.

Drawings



Overview of items

Wing nuts narrow in Hygienic DESIGN

Order No.	A	B	D	H	T
06651-03-04	9	4,5	M4	20	6
06651-03-05	10	4,5	M5	22	6
06651-03-06	12	5,5	M6	22	7
06651-03-08	16	8	M8	25	9
06651-03-10	20	10	M10	30	11

