

Item description/product images



Description

Material:

Housing plastic.
 Shaft stainless steel.
 Connector thread brass.
 Earthing terminal metal.

Version:

Nickel-plated brass.
 1x M8 connector (A coded), 4-pole, 1x pin.

Note:

The IO link-enabled position indicators are used to check format adjustments, in order to effectively reduce set-up times and increase machine efficiency.

The two-line LCD display can display both the setpoint value and the actual value. Two LEDs give the user visual signals indicating whether the setpoint and actual values match (LEDs lit green) or do not match (LEDs lit red). The LEDs also indicate to the user which direction of adjustment to apply in order to reach the desired position.

Position indicators 21924-1530 and 21924-1650 are linked to the application by a shaft. The position of the application is determined by a robust sensor system which uses magnetic scanning.

Position indicators 21924-1531 and 21924-1651 are mounted directly in the application. The position is determined by a magnetic sensor (21924-01) and a magnetic tape (21725). Suitable only for linear length measurement.

Technical data:

Position indicators 21924-1530 and 21924-1650:

Rotation speed: ≤ 500 rpm
 Operating voltage: 24 V DC ± 20 %
 Current consumption: ~ 30 mA
 Battery life: ~ 5 years
 Resolution: 880 Increments/rotation
 Measurement range: ≤ 11914 rotations
 Ambient temperature: 0 °C to +60 °C
 Storage temperature: -20 °C to +80 °C

Position indicators 21924-1531 and 21924-1651:

Operating voltage: 24 V DC ± 20 %
 Current consumption: ~ 30 mA
 Battery life: ~ 5 years
 Resolution: 0.01 mm (with magnetic sensor 21924-01)
 System accuracy: ± 35 μ m (with magnetic sensor 21924-01)
 Measurement range: ± 655 m (with magnetic sensor 21924-01)
 Ambient temperature: 0 °C to +60 °C
 Storage temperature: -20 °C to +80 °C

On request:

Certificate of conformity.

Supplied with:

Position indicators

Assembly instructions

Accessory:

Position indicators 21924-1530 and 21924-1650:
Reducing bush 21940-20**.

Position indicators 21924-1531 and 21924-1651:
Magnetic sensor 21924-01.
Magnetic tape 21725.

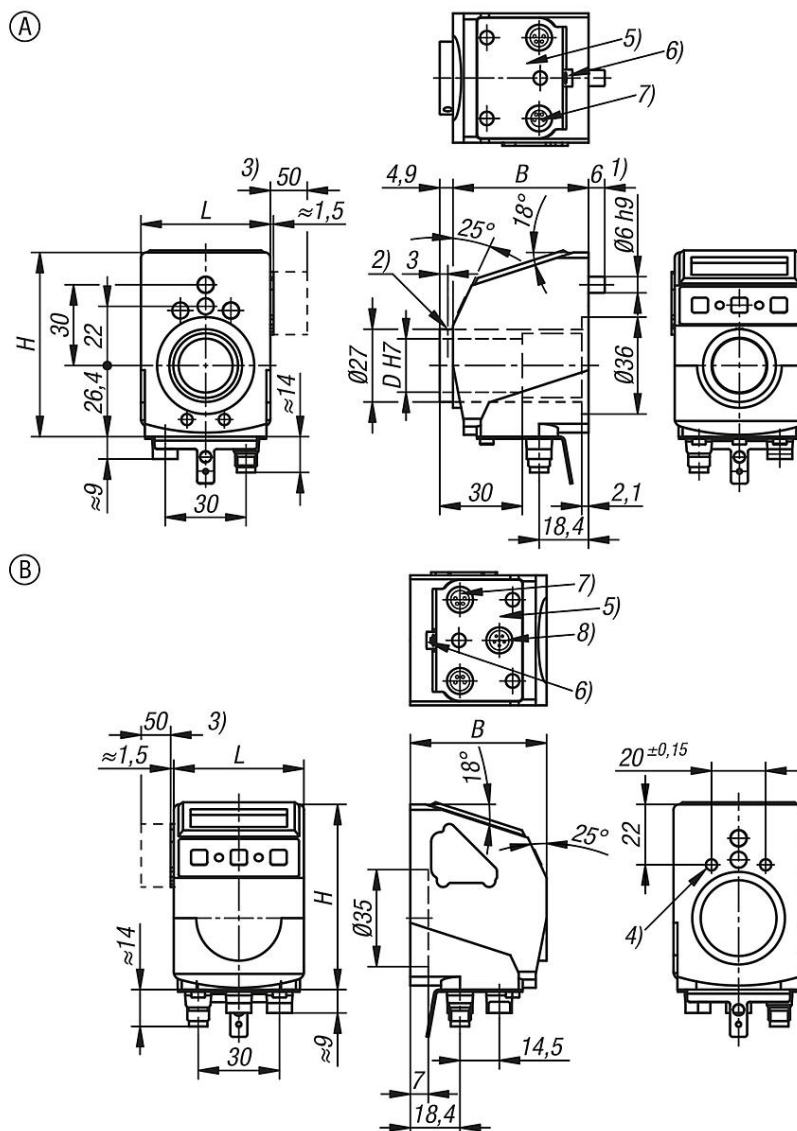
Note:

These position indicators can be integrated only with a IO link communication system.

Drawing reference:

- 1) Torque support
- 2) Grub screw M3 (2x 120°)
- 3) Min. space required to change battery without disassembling.
- 4) 2x M5/7 deep
- 5) Contact area
- 6) Earthing terminal for flat connector 6.3 or cable lug
- 7) IO link M8 connector (pin contact) metal connection thread
- 8) Sensor

Drawings



Overview of items

Position indicator, plastic, electronic IO link interface

Order No.	Form	Component material	B	D	H	L	Safety rating
21924-1530	A	stainless steel	50,3	20	68,4	48	IP53
21924-1650	A	stainless steel	50,3	20	68,4	48	IP65
21924-1531	B	-	50,3	-	68,4	48	IP53
21924-1651	B	-	50,3	-	68,4	48	IP65