

Item description/product images



**Description**

**Material:**

Race body steel.  
Wipers plastic/felt.  
Longitudinal sealing lips rubber.  
Rollers steel 1.3505.

**Version:**

Race body electro zinc-plated.

**Note:**

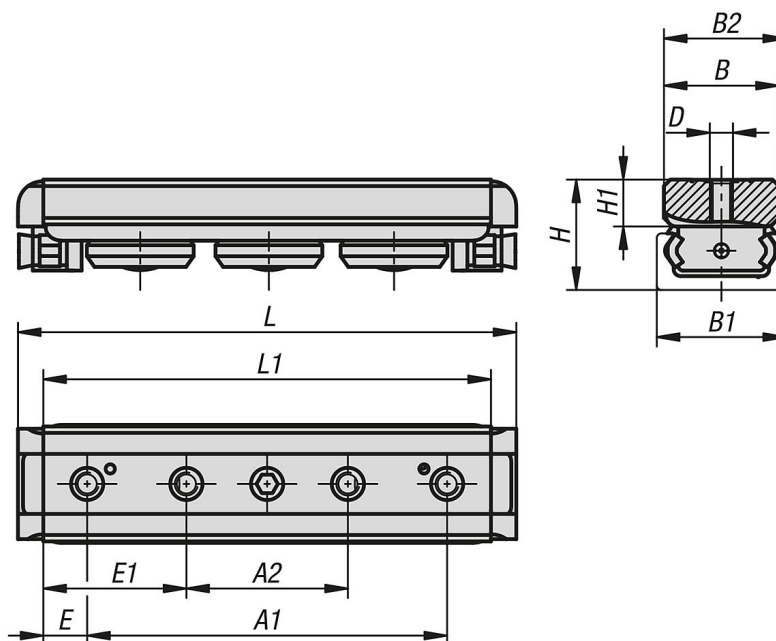
Roller carriage with lifetime-lubrication roller bearings and wipers which lubricate the system when moving.  
By simply moving the centre cam roller, the roller carriage can be adjusted so that it is free of play or has the desired pre-tension in the rail.  
High travel speeds up to 7 m/s and extremely quiet (faster and quieter than systems that use recirculating balls).

The wipers are fitted with an oil-soaked felt. This felt is in constant contact with the track to ensure perfect lubrication. The felts can be recharged using an oil pump through the lubrication points on the front.

**On request:**

Roller carriages with 4 or 5 rollers.

Drawings



Overview of items

Order No.	Size	A1	A2	B	B1	B2	D	E	E1	H	H1	L	L1	C dynamic N	COY N	COZ N	Mx Nm	My Nm	Mz Nm
21322-18070	18	52	20	16	18	17	M5	9	25	16,5	7,2	78	70	1530	820	260	1,5	4,7	8,2
21322-28097	28	78	35	24,9	28	26,45	M5	9,5	31	24	9,7	108	97	4260	2170	640	6,2	16	27,2
21322-43139	43	114	55	39,5	43	41,25	M8	12,5	42	37	14,5	150	139	12280	5500	1570	23,6	60	104,5

