

Item description/product images

**Description****Material:**

Aluminium.

Note:

The lifting column is an electrically driven system with fully integrated technology, which is maintenance-free and operated according to the plug & work principle.

With a maximum speed of 8 mm/s, up to two lifting columns can be driven synchronously between 355 mm and 500 mm using the control (85300-10-90). Optionally, two controls can be connected together with a connection cable (85300-10-91X1000) so that four lifting columns can be driven synchronously.

These lifting columns are suitable for thrust and traction loads.

At least one control (85300-10-90) and one hand switch (85300-15-1) are required for commissioning the lifting columns.

The mounting plate (85300-930040) enables the lifting column to be easily installed into the customer's application.

On request:

Lifting column ESD, lifting columns with damping, lifting columns for overhead applications, and lifting columns for cleanroom applications.

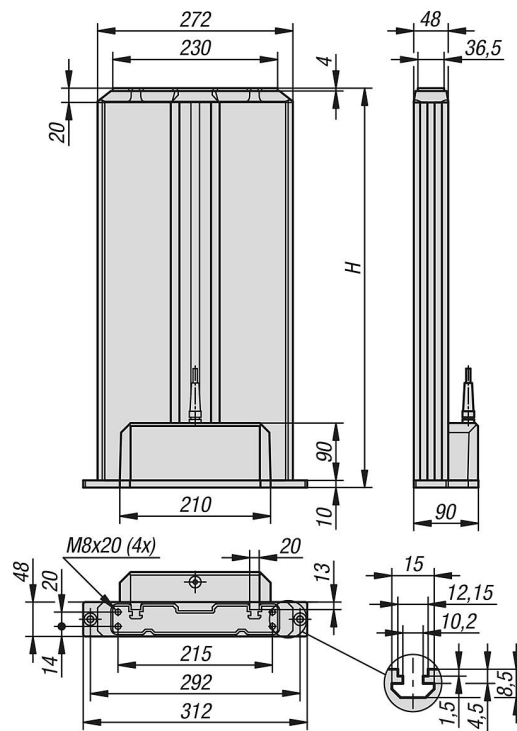
Supplied with:

- 1x lifting column, aluminium, electrically adjustable.
- 4x slot nuts for easy integration of the lifting column in the customer's application.

Accessory:

- Control (85300-10-90)
- Connection cable (85300-10-91X1000)
- Hand switch (85300-15-1)
- Power supply cable (85300-10-92X1800)
- Mounting bracket (85300-930040)

Drawings



Overview of items

Order No.	Item	Main material	H	H1	Travel S	Stroke speed (mm/s)	Traction force F1 N	Thrust force F2 N
85300-355	Lifting column	aluminium	558	203	355	8	3000	3000
85300-400	Lifting column	aluminium	603	203	400	8	3000	3000
85300-452	Lifting column	aluminium	658	203	455	8	3000	3000
85300-497	Lifting column	aluminium	703	203	500	8	3000	3000
85300-930040	Mounting Plate	zinc	-	-	-	-	-	-