

Item description/product images

INCH
Parts

Description

Material:

Handwheel thermoset PF 31.
Bush steel, black oxidised.

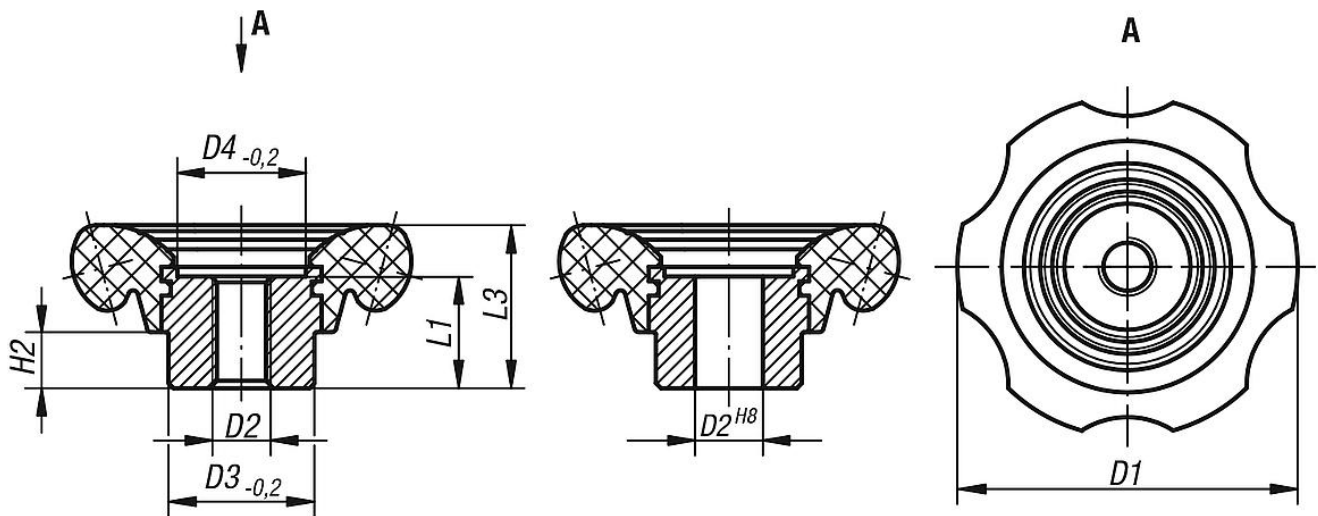
Version:

High-gloss polished, black.

Note:

For the inch series, dimension D is in inches, all other dimensions are in mm.

Drawings



Overview of items

Six Lobe Knobs, thermoset, inch

Order No.	Version 1	D1	D2	D3	D4	H2	L1	L3
06830-701A3	internal thread	70	5/16-18	30	26,5	11,5	23	33,5
06830-701A4	internal thread	70	3/8-16	30	26,5	11,5	23	33,5
06830-831A5	internal thread	83	1/2-13	35	31,5	14	28	40
06830-831A6	internal thread	83	5/8-11	35	31,5	14	28	40
06830-702C0	reamed hole	70	0,375	30	26,5	11,5	23	33,5
06830-702CP	reamed hole	70	0,5	30	26,5	11,5	23	33,5
06830-832CP	reamed hole	83	0,5	35	31,5	14	28	40
06830-832CQ	reamed hole	83	0,625	35	31,5	14	28	40