

Item description/product images

INCH  
Parts



Description

Material:

Handwheel, reinforced and stabilised polyamide.  
Centre caps, polyamide.  
Centre bushes, steel.  
Tapped insert for cylinder grip, brass.

Version:

Handwheel, oil and grease resistant, black (RAL 9011), satin finish.  
Centre caps, grey (RAL 7035).  
Centre bushes, black oxidised.

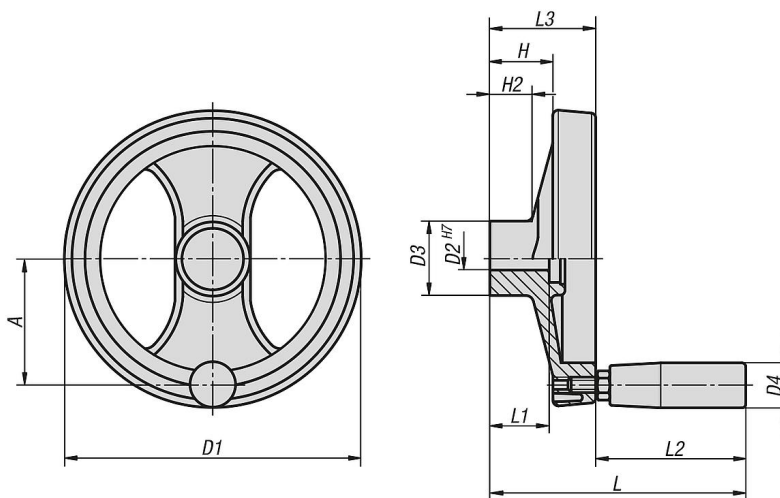
Note:

The H7 tolerance for the bore D2 in the drawing only applies to metric handwheels.  
For inch handwheels the tolerance is H10.

On request:

Other cap colours.  
Special versions.

Drawings



Overview of items

Order No.	Version 1	D1	D2	D3	D4	H	H2	A	L	L1	L2	L3
06255-4080XCN	reamed hole	80	0,312	24,5	20	20	16	30	85	20	51	34
06255-4100XCO	reamed hole	99	0,375	28	20	25,5	20	38	93	24	51	43
06255-4100XCP	reamed hole	99	0,5	28	20	25,5	20	38	93	24	51	43
06255-4130XCN	reamed hole	129	0,312	32	23	30	21	55	112	24	62	50
06255-4130XCO	reamed hole	129	0,375	32	23	30	21	55	112	24	62	50
06255-4160XCO	reamed hole	159	0,375	40	23	33	22	66	119	32	62	57
06255-4160XCP	reamed hole	159	0,5	40	23	33	22	66	119	32	62	57
06255-4160XCQ	reamed hole	159	0,625	40	23	33	22	66	119	32	62	57
06255-4200XCQ	reamed hole	198	0,625	51	26	31	17,5	82	141	32	81	60
06255-4250XCR	reamed hole	252	0,75	55,5	27	39,5	24	113	163	36	92	71

Overview of items

---