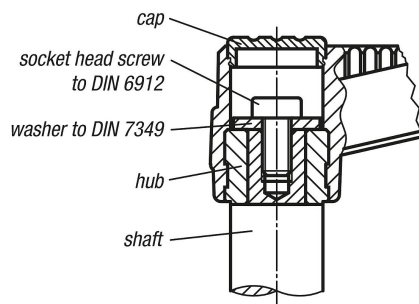


## Item description/product images

INCH  
Parts

## Description

**Material:**

Black grey thermoplastic.

**Version:**

Steel parts black oxidised.

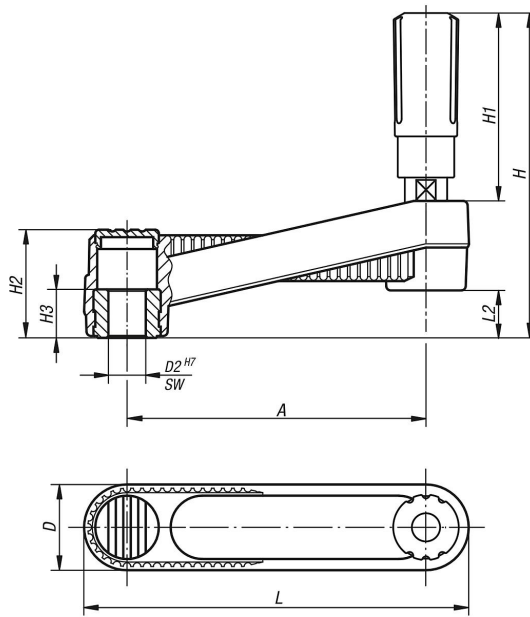
**Note:**

The hub cap and the revolving grip are supplied loose.

To assemble the handle simply screw the grip into the existing hole.

The crank handles can be secured to a shaft by using a transverse pin or by parallel key connection together with a DIN 6912 cap screw and a DIN 7349 washer.

Drawings



Overview of items

Order No.	Size	Version 2	A	D	D2	H	H1	H2	H3	L	L2
06500-31CO	1	without transverse hole	80	24	0,375	85,8	49,1	28,5	13	104	12,7
06500-32CO	2	without transverse hole	100	29	0,375	107,1	61,4	35,5	13	129	15,7
06500-32CP	3	without transverse hole	100	29	0,5	107,1	61,4	35,5	13	129	15,7
06500-33CP	3	without transverse hole	125	36	0,5	139,5	82,5	44	18,5	161	19,5