

Item description/product images

INCH  
Parts



Description

Material:

Black grey thermoplastic.

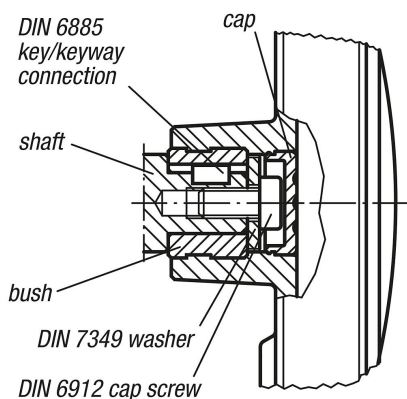
Version:

Steel parts black oxidised.

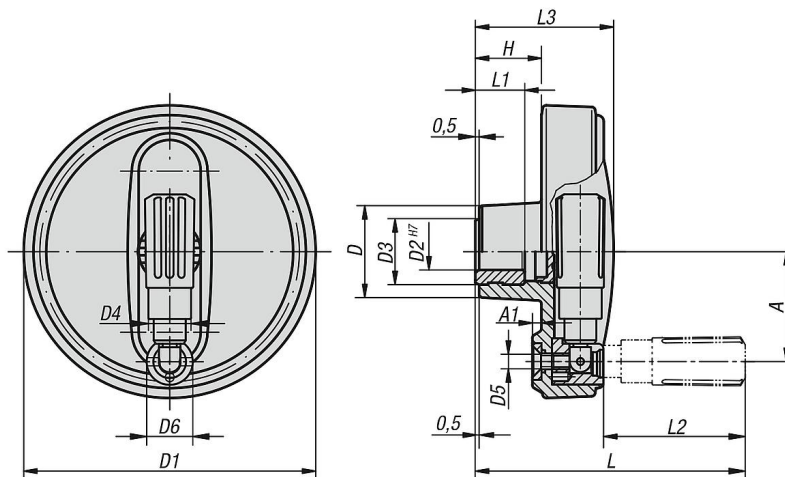
Note:

The hub cap is supplied loose.

The handwheels can be secured using a transverse pin or by parallel key connection together with a DIN 6912 socket head screw and a DIN 7349 washer.



Drawings



Overview of items

Order No.	Size	D	D1	D2	D3	D4	D5	D6	A	A1	H	L	L1	L2	L3
06264-1080C0	1	25	80	0,375	19	13	M4	13	30	2,5	17,5	75	13	40	37,5
06264-2100C0	2	28	100	0,375	19	16	M5	16	38	3	20	90	13	49	44
06264-2100CP	2	28	100	0,5	19	16	M5	16	38	3	20	90	13	49	44
06264-3125CP	3	35	125	0,5	25	20	M6	20	47,5	4	23,5	109	18,5	59,5	53
06264-4160CP	4	45	160	0,5	25	25	M8	26	62	5,6	28	144	18,5	83,5	64,5
06264-4160CQ	4	45	160	0,625	25	25	M8	26	62	5,6	28	144	18,5	83,5	64,5

