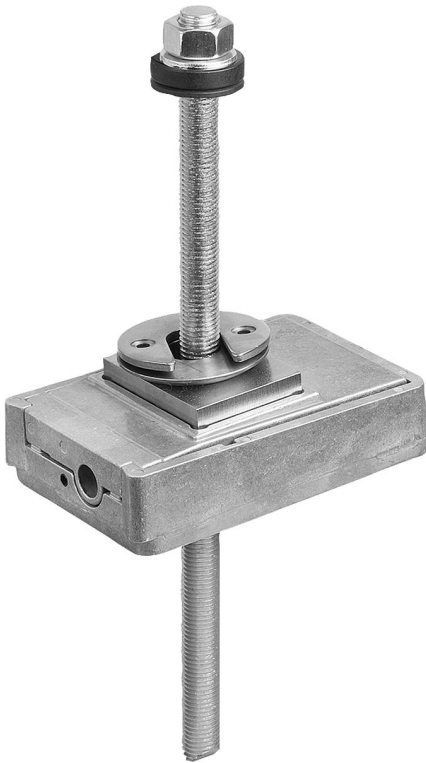


## Item description/product images



## Description

**Material:**

Housing aluminium, adhesive anchor steel.

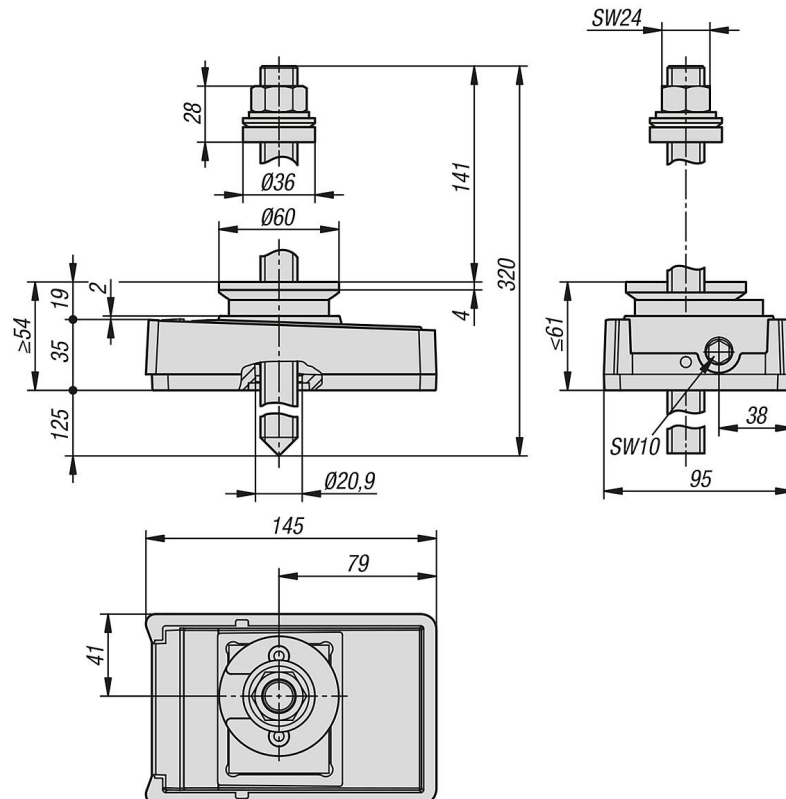
**Note:**

Suitable for adjustment loads of up to 7 tonnes. The levelling wedges can be used for fastening machines or peripheral devices. The levelling wedges are anchored to the floor using an adhesive anchor.

**Supplied with:**

Adhesive anchor M16X320 is supplied fully assembled.  
Spacer washer (27710-30-10604) supplied.

## Drawings



## Overview of items

Order No.	Fine adjustment (mm)	Adj. load (kN)	Torque on setscrew (Nm)	Height adjustment per rotation (mm)
27710-20-145095061	7	70	35	0,275