

## Item description/product images



## Description

**Material:**

Steel, nitrile rubber.

**Note:**

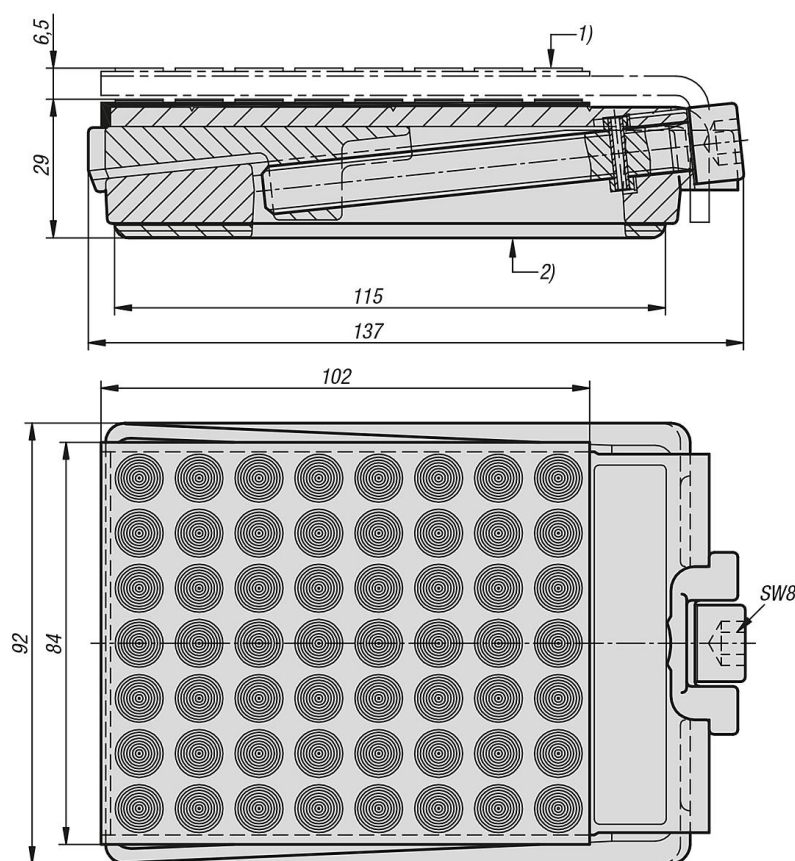
The low non-slip levelling wedge is suitable for loads of up to 2 tonnes.

The levelling wedge provides a large support surface with a nubbed structure made of nitrile with a hardness of Shore 80.

Using the flat angle of the wedges, the height of the levelling wedge can be adjusted by 0.15 mm per turn of the screw.

The vulcanized non-slip layer provides durable insulation from vibrations, noise, and corrosive media.

## Drawings



## Overview of items

Order No.	Permanent load (kN)	Max. perm. load (kN)	Torque on setscrew (Nm)	Height adjustment per rotation (mm)
27710-05-137092035	20	35	20	0,15

