

Item description/product images



Description

Material:

Steel housing.
Nitrile rubber seal.

Version:

Ground edges.

Note:

Preloaded high-accuracy bearings with a 60° thrust angle. The bearings accept both radial and axial forces from both directions. Due to their preload, the angular contact ball bearings provide a high level of stiffness, excellent concentricity, precise tool positioning and repeatability.

The integrated low-friction seal effectively keeps dirt away from the bearing, thereby ensuring excellent operating safety and a long service life.

The bearing friction coefficient M_{rl} is a reference value.

The moment of inertia corresponds to that of the rotating inner ring.

The limiting speeds are applicable after grease is applied.

Technical data:

All bearings are supplied ready for mounting with lubricating grease type KE2P-35 acc. to DIN 51825.

Housing and shaft tolerances correspond to roundness tolerance class IT2 and perpendicularity tolerance class IT4.

Application:

For thread drive bearing.

Temperature range:

-30 °C to +120 °C.

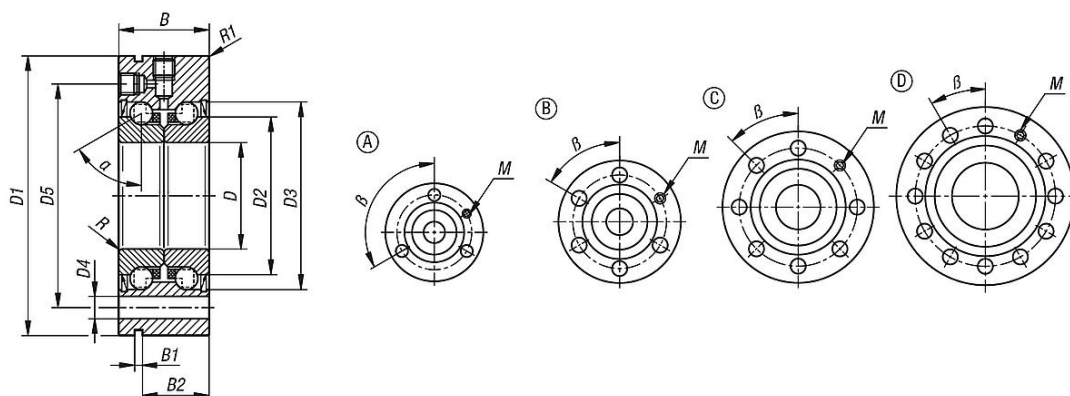
Assembly:

Precision slotted nuts must be used for mounting the threaded spindles.

To compensate for any material settling during assembly, tighten the slotted nuts using 2x tightening torque, loosen slightly and then tighten using the prescribed tightening torque.

Tighten fastening screws crosswise up to max. 70% of the yield point.

Drawings



Overview of items

| Order No. | Abbreviation | Version 1 | Form | B | B1 | B2 | D | D1 | D2 | D3 | D4 | D5 | R | R1 | α | β | M | Tightening torque, precision locknut Nm | Speed limit rpm |
|--------------------|--------------|------------|------|----------|----|----|----------|----------|------|----|-----|----|-----|-----|----------|---------|----|---|-----------------|
| 23806-01-101205525 | 1255-2RS | double-row | A | 25 -0,25 | 3 | 17 | 12-0,005 | 55-0,01 | 25 | - | 6,6 | 42 | 0,3 | 0,6 | 60° | 120° | M6 | 8 | 3800 |
| 23806-01-101506025 | 1560-2RS | double-row | B | 25 -0,25 | 3 | 17 | 15-0,005 | 60-0,01 | 28 | 36 | 6,6 | 46 | 0,3 | 0,6 | 60° | 60° | M6 | 10 | 3500 |
| 23806-01-101706225 | 1762-2RS | double-row | B | 25 -0,25 | 3 | 17 | 17-0,005 | 62-0,01 | 30 | 38 | 6,6 | 48 | 0,3 | 0,6 | 60° | 60° | M6 | 15 | 3300 |
| 23806-01-102006828 | 2068-2RS | double-row | C | 28 -0,25 | 3 | 19 | 20-0,005 | 68-0,01 | 34,5 | 44 | 6,6 | 53 | 0,3 | 0,6 | 60° | 45° | M6 | 18 | 3000 |
| 23806-01-102507528 | 2575-2RS | double-row | C | 28 -0,25 | 3 | 19 | 25-0,005 | 75-0,01 | 40,5 | 49 | 6,6 | 58 | 0,3 | 0,6 | 60° | 45° | M6 | 25 | 2600 |
| 23806-01-103008028 | 3080-2RS | double-row | D | 28 -0,25 | 3 | 19 | 30-0,005 | 80-0,01 | 45,5 | 54 | 6,6 | 63 | 0,3 | 0,6 | 60° | 30° | M6 | 32 | 2200 |
| 23806-01-104010034 | 40100-2RS | double-row | C | 34 -0,25 | 3 | 25 | 40-0,005 | 100-0,01 | 58 | 68 | 8,8 | 80 | 0,3 | 0,6 | 60° | 45° | M6 | 55 | 1800 |

| Order No. | Abbreviation | Static load rating N | Dynamic load rating N | Axial rigidity N/ μ m | Tilt rigidity Nm/mrad | Bearing friction torque Nm | Moment of inertia kg.cm ² | Circular runout μ m | Radial bearing clearance | Hole tolerance μ m | OD tolerance μ m | Width tolerance μ m |
|--------------------|--------------|----------------------|-----------------------|---------------------------|-----------------------|----------------------------|--------------------------------------|-------------------------|--------------------------|------------------------|----------------------|-------------------------|
| 23806-01-101205525 | 1255-2RS | 24700 | 16900 | 375 | 50 | 0,16 | 0,068 | 2,0 | pre-tensioned | 0-5 | 0-10 | 0-250 |
| 23806-01-101506025 | 1560-2RS | 28000 | 17900 | 400 | 65 | 0,20 | 0,102 | 2,0 | pre-tensioned | 0-5 | 0-10 | 0-250 |
| 23806-01-101706225 | 1762-2RS | 31000 | 18800 | 450 | 80 | 0,24 | 0,132 | 2,0 | pre-tensioned | 0-5 | 0-10 | 0-250 |
| 23806-01-102006828 | 2068-2RS | 47000 | 26000 | 650 | 140 | 0,30 | 0,273 | 2,0 | pre-tensioned | 0-5 | 0-10 | 0-250 |
| 23806-01-102507528 | 2575-2RS | 55000 | 27500 | 750 | 200 | 0,40 | 0,486 | 2,0 | pre-tensioned | 0-5 | 0-10 | 0-250 |
| 23806-01-103008028 | 3080-2RS | 64000 | 29000 | 850 | 300 | 0,50 | 0,730 | 2,5 | pre-tensioned | 0-5 | 0-10 | 0-250 |
| 23806-01-104010034 | 40100-2RS | 101000 | 43000 | 1000 | 550 | 0,70 | 2,260 | 2,5 | pre-tensioned | 0-5 | 0-10 | 0-250 |