

Item description/product images



**Description**

**Material:**

Aluminium outer ring and inner ring.  
Iglidur® J plastic slide elements.  
Stainless steel A2 screws.

**Version:**

Anodised outer ring and inner ring.

**Note:**

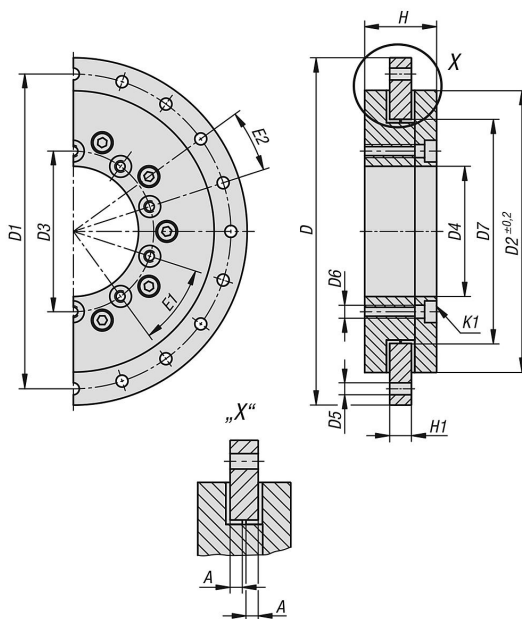
Aluminium plain bearings with replaceable, high performance material glide elements for rotary stages. Such a combination of materials guarantees absolutely lubricant and maintenance-free running.

Simple assembly.  
High wear resistance.  
For high loads, high rigidity.

**Temperature range:**

-50°C to +90°C.

Drawings



Overview of items

Order No.	A	D	D1	D2	D3	D4	D5	D6	D7	E1	E2	H	H1
21245-01-1108020	3,5	80	70	60	31	20	4,5	M4	40	6X60°	6X60°	24	8
21245-01-1110030	4,5	100	91	82	42,5	30	4,5	M4	58	8X45°	8X45°	29	10
21245-01-1116060	4,5	160	145	130	74	60	5,5	M5	103	10X36°	20X18°	33	10

Order No.	K1	Static axial load rating N	Dynamic axial load rating N	Static radial load rating N	Dynamic radial load rating N	tilt moment max. Nm	Rev. limit n max. rpm
21245-01-1108020	DIN 7984 M4	15000	4000	2300	600	100	300
21245-01-1110030	DIN 7984 M4	27000	7000	5000	1500	200	250

## Overview of items

Order No.	K1	Static axial load rating N	Dynamic axial load rating N	Static radial load rating N	Dynamic radial load rating N	tilt moment max. Nm	Rev. limit n max. rpm
21245-01-1116060	ISO 4762 M5	50000	15000	10000	3000	800	200