

## Item description/product images



## Description

**Material:**

Aluminium outer ring  
 Inner ring made of Iglidur® J plain bearing plastic material.  
 Stainless steel A2 screws and nuts.

**Version:**

Anodised outer ring.

**Note:**

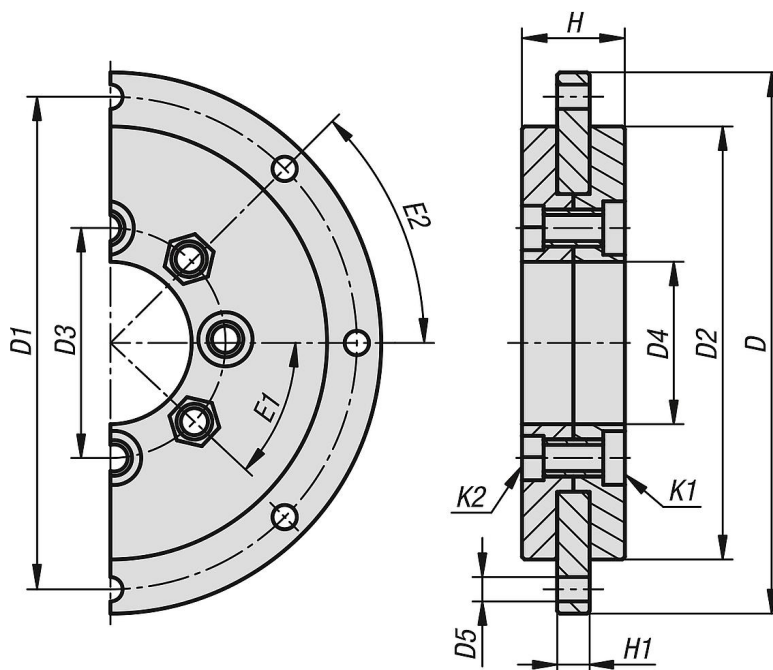
Extremely low weight plain bearings for rotary stages. The inner ring is made of a high-performance bearing material that surrounds the anodised aluminium outer ring. Such a combination of materials guarantees absolutely lubricant and maintenance-free running.

Simple assembly.  
 High wear resistance.  
 For high loads, high rigidity.

**Temperature range:**

-50°C to +90°C.

## Drawings



## Overview of items

Order No.	D	D1	D2	D3	D4	D5	E1	E2	H	H1	K1	K2 for nut
21245-1108020	80	70	60	31	20	4,5	6X60°	6X60°	16	5	DIN 7984 M5	ISO 4035 M5
21245-1110030	100	91	80	42,5	30	4,5	8X45°	8X45°	19	6	DIN 7984 M5	ISO 4035 M5
21245-1116060	160	145	130	86	60	5,5	12X30°	20X18°	30	10	Ø 16 cuntersink 6,5 deep	Ø 16 cuntersink 6,5 deep

## Overview of items

Order No.	Static axial load rating N	Dynamic axial load rating N	Static radial load rating N	Dynamic radial load rating N	tilt moment max. Nm	Rev. limit n max. rpm
21245-1108020	13000	4000	2000	500	60	250
21245-1110030	25000	7000	2500	700	100	200
21245-1116060	45000	12000	10000	2800	200	120