

Description

Material:

Polyacetal (POM) or polyketone (PK).

Version:

Injection moulded, straight teeth. Engagement angle 20°. Axis angle = 90°.

Machined bores from module 1.5.

Polyacetal, white.

Polyketone, ivory tone.

Note:

Polyacetal: Standard material with high hardness grade and low coefficient of friction.

Polyketone: Material with significantly longer service life, higher power transmission and greater security against tooth breakage due to the extraordinarily high wear resistance and very good tribological properties.

Can be used under water and other media.

Injection moulded gear wheels may have internal manufacture-related cavities. These may become visible during drilling or broaching. They do not impair the function.

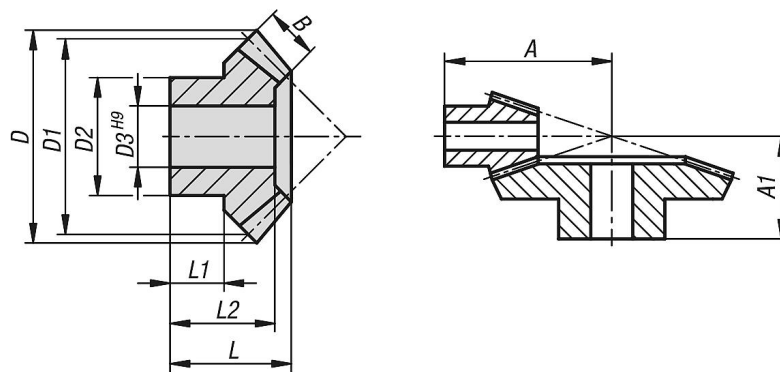
Bevel gear wheels are supplied as single components. To obtain a pair of bevel gear wheels, please order the specified mating gear as well.

Temperature range:

-40 °C to +140 °C (taking amount and duration of load into account).

Note:

The torques specified in the tables relate exclusively to the toothing. The shaft diameter, key size, etc. are not taken into account. The permissible load calculations are based on the basic principles of the pitting load capacity of the tooth flanks as well as the occurring tooth root stress. The respective permissible load of a gear wheel depends on so many different factors that the values specified can only be reference values meant to make selection easier. The torque specifications relate to a single tooth. The overlap, which is essential for determining the transmissible torque, occurs depending on the pitch diameter, gear wheel pairing, etc. In the simplest straight tooth cases, an overlap ratio of 1.1 to 1.25 is normal. To increase the overlap, a higher number of teeth with smaller modules is used. A good profile overlap can minimise damage such as pitting.



Overview of items

Order No.	Main material	Transmission ratio	Module	No. of teeth	A	A1	B	D	D1	D2	D3	L	L1	L2	Max. torque Ncm	matching opposing gear
22432-110130015	polyacetal	1:3	1	15	34,3	-	9	16,4	15	12,3	5	20,5	11,4	-	16,9	22432-110130045
22432-110130045	polyacetal	1:3	1	45	-	22,4	8,8	45,7	45	23,4	10	17,9	9,6	16,2	49,7	22432-110130015
22432-115130015	polyacetal	1:3	1,5	15	47,3	-	14	25,1	22,5	17,2	8	26,6	12,3	-	59,3	22432-115130045
22432-115130045	polyacetal	1:3	1,5	45	-	29,7	14	68,5	67,5	30,4	12	23,2	11,8	21,4	178,1	22432-115130015
22432-120130010	polyacetal	1:3	2	10	43,3	-	12,2	23,6	20	15,5	6	25	12	-	61,3	22432-120130030
22432-120130030	polyacetal	1:3	2	30	-	28	12,5	61,7	60	30,3	12	22,5	11,8	19,8	188,5	22432-120130010
22432-125130010	polyacetal	1:3	2,5	10	52,4	-	15,2	29,6	25	18,8	8	28,7	13	-	119,3	22432-125130030
22432-125130030	polyacetal	1:3	2,5	30	-	35,8	15,7	77,2	75	36	18	29	15,9	25	369,9	22432-125130010
22432-210130015	polyketone	1:3	1	15	34,3	-	9	16,4	15	12,3	5	20,5	11,4	-	17,8	22432-210130045
22432-210130045	polyketone	1:3	1	45	-	22,4	8,8	45,7	45	23,4	10	17,9	9,6	16,2	52,2	22432-210130015
22432-215130015	polyketone	1:3	1,5	15	47,3	-	14	25,1	22,5	17,2	8	26,6	12,3	-	62,3	22432-215130045
22432-215130045	polyketone	1:3	1,5	45	-	29,7	14	68,5	67,5	30,4	12	23,2	11,8	21,4	187	22432-215130015
22432-220130010	polyketone	1:3	2	10	43,3	-	12,2	23,6	20	15,5	6	25	12	-	64,3	22432-220130030
22432-220130030	polyketone	1:3	2	30	-	28	12,5	61,7	60	30,3	12	22,5	11,8	19,8	197,9	22432-220130010
22432-225130010	polyketone	1:3	2,5	10	52,4	-	15,2	29,6	25	18,8	8	28,7	13	-	125,3	22432-225130030
22432-225130030	polyketone	1:3	2,5	30	-	35,8	15,7	77,2	75	36	18	29	15,9	25	388,4	22432-225130010