

Description

Material:

Polyacetal (POM) or polyketone (PK).

Version:

Injection moulded, straight teeth. Engagement angle 20°. Machined bore.

Polyacetal, white.

Polyketone, ivory-tone.

Note:

Polyacetal: Standard material with high hardness grade and low coefficient of friction.

Polyketone: Material with significantly longer service life, higher power transmission and greater security against tooth breakage due to the extraordinarily high wear resistance and very good tribological properties.

Can be used under water and other media.

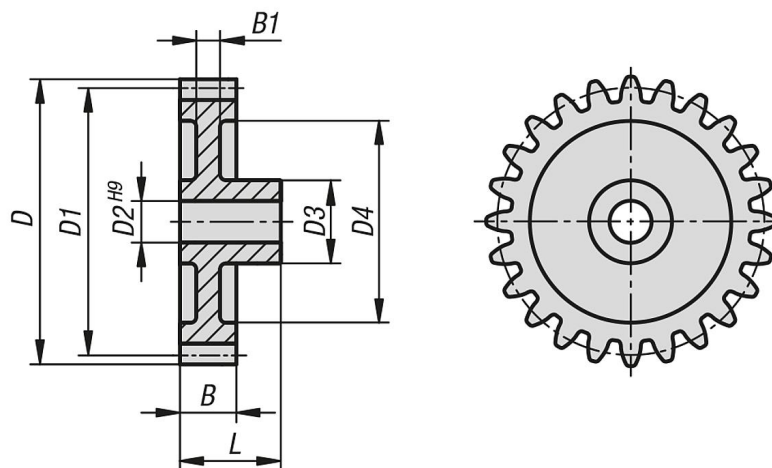
Injection moulded gear wheels may have internal manufacture-related cavities. These may become visible during drilling or broaching. They do not impair the function.

Temperature range:

-40 °C to +140 °C (taking amount and duration of load into account).

Note:

The torques specified in the tables relate exclusively to the toothing. The shaft diameter, key size, etc. are not taken into account. The permissible load calculations are based on the basic principles of the pitting load capacity of the tooth flanks as well as the occurring tooth root stress. The respective permissible load of a gear wheel depends on so many different factors that the values specified can only be reference values meant to make selection easier. The torque specifications relate to a single tooth. The overlap, which is essential for determining the transmissible torque, occurs depending on the pitch diameter, gear wheel pairing, etc. In the simplest straight tooth cases, an overlap ratio of 1.1 to 1.25 is normal. To increase the overlap, a higher number of teeth with smaller modules is used. A good profile overlap can minimise damage such as pitting.



Overview of items

Order No.	Main material	No. of teeth	D	D1	D2	D3	D4	B	B1	L	Max. torque Ncm
22402-1100012	polyacetal	12	14	12	4	9	-	9	9	17	16,9
22402-1100013	polyacetal	13	15	13	4	9	-	9	9	17	18,3
22402-1100014	polyacetal	14	16	14	4	9	-	9	9	17	19,7
22402-1100015	polyacetal	15	17	15	4	9	-	9	9	17	21,2
22402-1100016	polyacetal	16	18	16	4	9	-	9	9	17	22,6
22402-1100017	polyacetal	17	19	17	4	9	12	9	6	17	24
22402-1100018	polyacetal	18	20	18	4	9	13	9	6	17	25,4
22402-1100019	polyacetal	19	21	19	4	9	13	9	6	17	26,8
22402-1100020	polyacetal	20	22	20	4	9	13	9	6	17	28,2
22402-1100021	polyacetal	21	23	21	5	12	16	9	6	17	29,6
22402-1100022	polyacetal	22	24	22	5	12	16	9	6	17	31,1
22402-1100023	polyacetal	23	25	23	5	12	16	9	6	17	32,5
22402-1100024	polyacetal	24	26	24	6	15	18,5	9	6	18	33,9
22402-1100025	polyacetal	25	27	25	6	15	18,5	9	6	18	35,3
22402-1100026	polyacetal	26	28	26	6	15	18,5	9	6	18	36,7
22402-1100027	polyacetal	27	29	27	6	15	18,5	9	6	18	38,1
22402-1100028	polyacetal	28	30	28	6	15	21	9	6	18	39,5
22402-1100030	polyacetal	30	32	30	6	15	21	9	6	18	42,4
22402-1100032	polyacetal	32	34	32	6	18	23,5	9	4,6	18	45,2
22402-1100035	polyacetal	35	37	35	8	18	23,5	9	4,6	18	49,4
22402-1100036	polyacetal	36	38	36	8	18	27	9	4,6	18	50,8
22402-1100038	polyacetal	38	40	38	8	18	27	9	4,6	18	53,7
22402-1100040	polyacetal	40	42	40	8	18	27	9	4,6	18	56,5
22402-1100042	polyacetal	42	44	42	8	18	27	9	4,6	18	59,3
22402-1100045	polyacetal	45	47	45	8	18	36,5	9	4,6	18	63,6
22402-1100048	polyacetal	48	50	48	8	18	36,5	9	4,6	18	67,8
22402-1100050	polyacetal	50	52	50	8	18	36,5	9	4,6	18	70,6
22402-1100052	polyacetal	52	54	52	8	21	46	9	4,6	18	73,5
22402-1100054	polyacetal	54	56	54	8	21	46	9	4,6	18	76,3
22402-1100055	polyacetal	55	57	55	8	21	46	9	4,6	18	77,7
22402-1100056	polyacetal	56	58	56	8	21	46	9	4,6	18	79,1
22402-1100058	polyacetal	58	60	58	8	21	46	9	4,6	18	82
22402-1100060	polyacetal	60	62	60	8	21	46	9	4,6	18	84,8
22402-1100064	polyacetal	64	66	64	10	21	56,5	9	4,6	18	90,4
22402-1100065	polyacetal	65	67	65	10	21	56,5	9	4,6	18	91,8
22402-1100070	polyacetal	70	72	70	10	21	56,5	9	4,6	18	98,9
22402-1100072	polyacetal	72	74	72	10	21	66	9	4,6	18	101,7
22402-1100075	polyacetal	75	77	75	10	21	66	9	4,6	18	106
22402-1100080	polyacetal	80	82	80	10	21	66	9	4,6	18	113,1
22402-1100085	polyacetal	85	87	85	10	21	66	9	4,6	18	120,1
22402-1100090	polyacetal	90	92	90	10	21	76	9	4,6	18	127,2
22402-1100100	polyacetal	100	102	100	12	24	86	9	4,6	18	141,3

22402 Spur gears, plastic, module 1 injection moulded, straight teeth, engagement angle 20°



Overview of items

Order No.	Main material	No. of teeth	D	D1	D2	D3	D4	B	B1	L	Max. torque Ncm
22402-1100110	polyacetal	110	112	110	12	24	96	9	4,6	18	155,5
22402-1100120	polyacetal	120	122	120	12	24	105,5	9	4,6	18	169,6
22402-1100130	polyacetal	130	132	130	12	24	115	9	4,6	18	183,7
22402-1100140	polyacetal	140	142	140	12	24	125	9	4,6	18	197,9
22402-2100012	polyketone	12	14	12	4	9	-	9	9	17	17,8
22402-2100013	polyketone	13	15	13	4	9	-	9	9	17	19,3
22402-2100014	polyketone	14	16	14	4	9	-	9	9	17	20,7
22402-2100015	polyketone	15	17	15	4	9	-	9	9	17	22,2
22402-2100016	polyketone	16	18	16	4	9	-	9	9	17	23,7
22402-2100017	polyketone	17	19	17	4	9	12	9	6	17	25,2
22402-2100018	polyketone	18	20	18	4	9	13	9	6	17	26,7
22402-2100019	polyketone	19	21	19	4	9	13	9	6	17	28,2
22402-2100020	polyketone	20	22	20	4	9	13	9	6	17	29,6
22402-2100021	polyketone	21	23	21	5	12	16	9	6	17	31,1
22402-2100022	polyketone	22	24	22	5	12	16	9	6	17	32,6
22402-2100023	polyketone	23	25	23	5	12	16	9	6	17	34,1
22402-2100024	polyketone	24	26	24	6	15	18,5	9	6	18	35,6
22402-2100025	polyketone	25	27	25	6	15	18,5	9	6	18	37,1
22402-2100026	polyketone	26	28	26	6	15	18,5	9	6	18	38,6
22402-2100027	polyketone	27	29	27	6	15	18,5	9	6	18	40
22402-2100028	polyketone	28	30	28	6	15	21	9	6	18	41,5
22402-2100030	polyketone	30	32	30	6	15	21	9	6	18	44,5
22402-2100032	polyketone	32	34	32	6	18	23,5	9	4,6	18	47,5
22402-2100035	polyketone	35	37	35	8	18	23,5	9	4,6	18	51,9
22402-2100036	polyketone	36	38	36	8	18	27	9	4,6	18	53,4
22402-2100038	polyketone	38	40	38	8	18	27	9	4,6	18	56,4
22402-2100040	polyketone	40	42	40	8	18	27	9	4,6	18	59,3
22402-2100042	polyketone	42	44	42	8	18	27	9	4,6	18	62,3
22402-2100045	polyketone	45	47	45	8	18	36,5	9	4,6	18	66,8
22402-2100048	polyketone	48	50	48	8	18	36,5	9	4,6	18	71,2
22402-2100050	polyketone	50	52	50	8	18	36,5	9	4,6	18	74,2
22402-2100052	polyketone	52	54	52	8	21	46	9	4,6	18	77,1
22402-2100054	polyketone	54	56	54	8	21	46	9	4,6	18	80,1
22402-2100055	polyketone	55	57	55	8	21	46	9	4,6	18	81,6
22402-2100056	polyketone	56	58	56	8	21	46	9	4,6	18	83,1
22402-2100058	polyketone	58	60	58	8	21	46	9	4,6	18	86,1
22402-2100060	polyketone	60	62	60	8	21	46	9	4,6	18	89
22402-2100064	polyketone	64	66	64	10	21	56,5	9	4,6	18	95
22402-2100065	polyketone	65	67	65	10	21	56,5	9	4,6	18	96,4
22402-2100070	polyketone	70	72	70	10	21	56,5	9	4,6	18	103,9
22402-2100072	polyketone	72	74	72	10	21	66	9	4,6	18	106,8
22402-2100075	polyketone	75	77	75	10	21	66	9	4,6	18	111,3
22402-2100080	polyketone	80	82	80	10	21	66	9	4,6	18	118,7
22402-2100085	polyketone	85	87	85	10	21	66	9	4,6	18	126,1
22402-2100090	polyketone	90	92	90	10	21	76	9	4,6	18	133,5
22402-2100100	polyketone	100	102	100	12	24	86	9	4,6	18	148,4
22402-2100110	polyketone	110	112	110	12	24	96	9	4,6	18	163,2
22402-2100120	polyketone	120	122	120	12	24	105,5	9	4,6	18	178,1
22402-2100130	polyketone	130	132	130	12	24	115	9	4,6	18	192,9
22402-2100140	polyketone	140	142	140	12	24	125	9	4,6	18	207,8