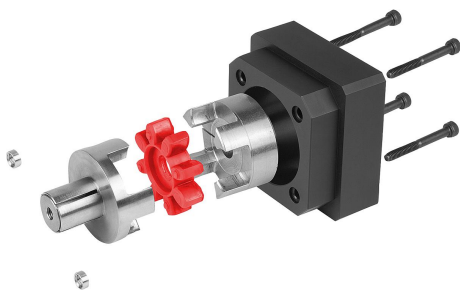


Item description/product images



Description

Material:

Elastomer spider polyurethane Shore 98A.
Coupling housing and clamping hub, aluminium.
Expanding mandrel steel.
Screws steel.
Centring rings 1.4301 stainless steel.

Version:

Coupling housing black anodised.

Note:

The motor adapter set with elastomer dog coupling system (elastomer coupling with expanding mandrel) provides a simple and cost-effective solution for connecting electric motors.

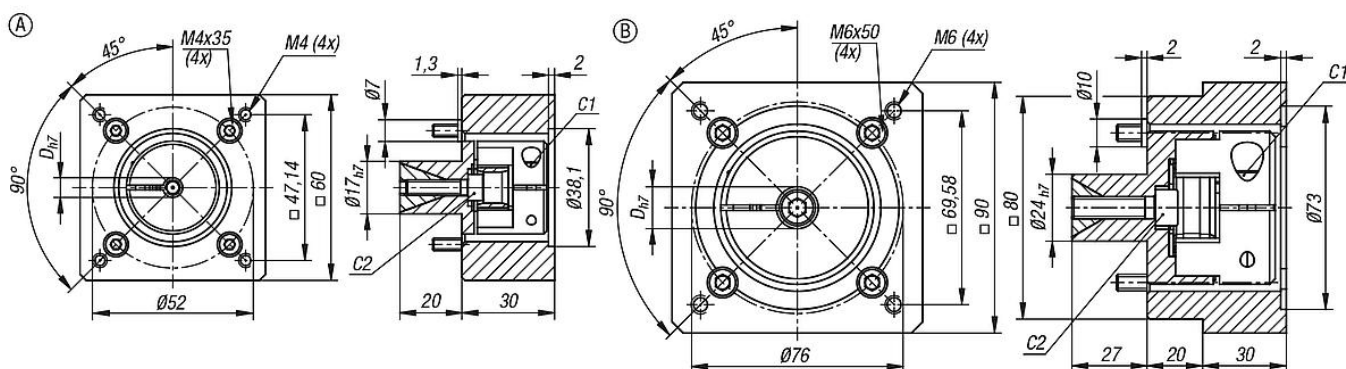
Advantages of the elastomer dog coupling:

- Hub with expanding mandrel can be mounted axially
- Play-free with vibration absorption
- Excellent retaining force
- Excellent concentric accuracy
- Short design
- Easy to assemble
- Can be mounted axially on spigot side
- Electrical insulation
- Nominal torque up to 30 Nm

On request:

Larger hub bore D.
Higher nominal torque.

Drawings



Overview of items

Order No.	Form	Size	C1	C2	D	Nominal torque Nm	Moment of inertia (10^{-3} kgm ²)	max. rpm	Tightening torque of screw C1 Nm	tightening torque of screw C2 Nm
20320-604710	A	60	M3	M5	6,35	4,8	0,01	20000	1,4	9
20320-806960	B	80	M6	M8	14	30	0,15	14000	15	32

