

Item description/product images



Description

Material:

Housing stainless steel 1.4016.
Magnetic core hard ferrite.

Version:

Bright.

Note:

Shielded system.

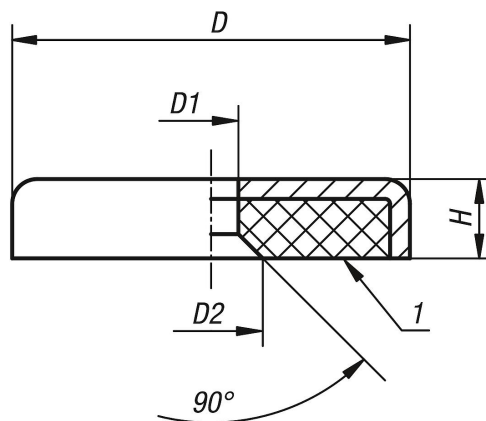
Temperature range:

max. 220°C.

Drawing reference:

1) magnetic face

Drawings



Overview of items

Order No.	D	D1	D2	H	Magnetic force N
09071-10-120	20±0,15	4,2	9	6	22
09071-10-125	25±0,15	5,5	11	7	29
09071-10-132	32±0,15	5,5	11	7	58
09071-10-140	40±0,2	5,5	12,5	8	72