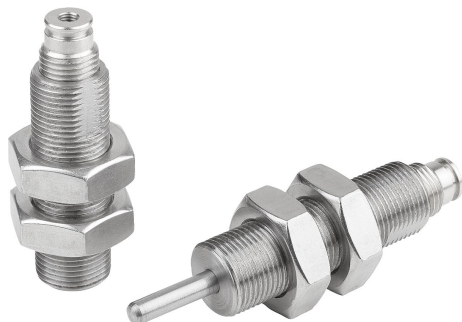


## Item description/product images

**Description****Material:**

Steel version:  
threaded sleeve and thrust pin, free-cutting steel.  
hexagon nuts, steel, grade 04.

Stainless steel version:  
threaded sleeve 1.4305  
thrust pin 1.4034  
hexagon nuts, A2 stainless steel.

**Version:**

Steel version:  
threaded sleeve, black oxidised  
thrust pin hardened, black oxidised and ground  
hexagon nuts, black oxidised

Stainless steel version:  
threaded sleeve, bright  
thrust pin, hardened, ground and bright  
hexagon nuts, bright

**Note:**

The indexing plungers are operated by applying compressed air.  
The spring-loaded reset occurs by disconnecting the air supply.

**Pneumatic cylinder:**

Single-acting piston rod cylinder.

**Materials:**

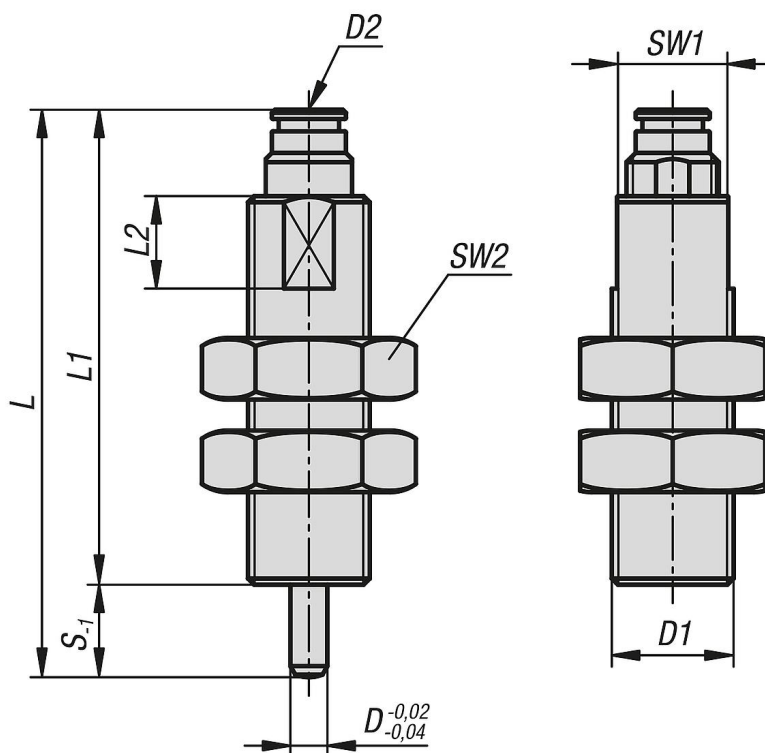
cylinder tube, nickel-plated brass,  
piston rod, stainless steel  
seals, NBR, PU.

**Operating medium:**

filtered and dried air, oiled or not oiled.

Application temperature: -20 °C to +80 °C.

Drawings



Overview of items

Order No.	Main material	D	D1	D2	L	L1	L2	Travel S	SW1	SW2	Operating pressure bar	Piston force at 6 bar (N)	Spring retraction force ca. N
03095-1206010	steel	6	M20x1,5	M5	80	70	15	10	18	30	2 - 6	38,7-35,1	9,9-6
03095-1206015	steel	6	M20x1,5	M5	92	77	15	15	18	30	2 - 6	38,7-32,9	11,8-6
03095-01206010	stainless steel	6	M20x1,5	M5	80	70	15	10	18	30	2 - 6	38,7-35,1	9,9-6
03095-01206015	stainless steel	6	M20x1,5	M5	92	77	15	15	18	30	2 - 6	38,7-32,9	11,8-6
03095-1308010	steel	8	M20x1,5	M5	77	67	15	10	18	30	2 - 6	39,6-35,3	11,6-5,1
03095-1308015	steel	8	M20x1,5	M5	89	74	15	15	18	30	2 - 6	39,6-33,1	11,6-5,1
03095-01308010	stainless steel	8	M20x1,5	M5	77	67	15	10	18	30	2 - 6	39,6-35,3	11,6-5,1
03095-01308015	stainless steel	8	M20x1,5	M5	89	74	15	15	18	30	2 - 6	39,6-33,1	11,6-5,1