

Item description/product images



Description

Material:

Handwheels aluminium.

Cylinder grip black thermoset PF 31-DIN 7708, centre pin electro zinc-plated steel.

Version:

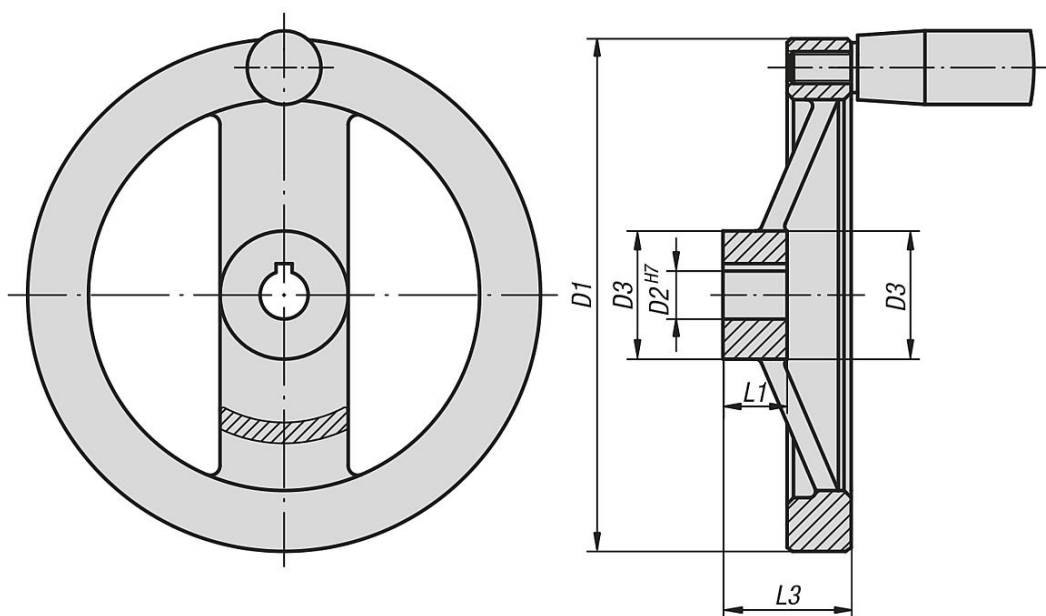
Black, powder-coated.

Wheel rim turned.

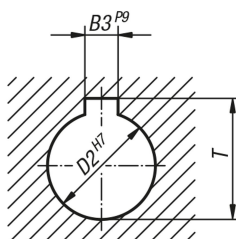
On request:

Hubs with square socket.

Drawings



DIN 6885-1



Overview of items

Handwheels 2-spoke, aluminium, flat wheel rim, without grip

Order No.	Version 1	D1	D2	D3	L1	L3	B3	T	Fixed cylinder grip	Revolving cylinder grip
06277-01080X10	reamed hole	80	10H7	24	16	28	-	-	-	-
06277-01080X12	reamed hole	80	12H7	24	16	28	-	-	-	-
06277-01100X10	reamed hole	100	10H7	26	17	33	-	-	-	-
06277-01100X12	reamed hole	100	12H7	26	17	33	-	-	-	-

## Overview of items

Order No.	Version 1	D1	D2	D3	L1	L3	B3	T	Fixed cylinder grip	Revolving cylinder grip
06277-01125X12	reamed hole	125	12H7	31	18	33,5	-	-	-	-
06277-01125X14	reamed hole	125	14H7	31	18	33,5	-	-	-	-
06277-01160X14	reamed hole	160	14H7	40	20	39	-	-	-	-
06277-01160X16	reamed hole	160	16H7	40	20	39	-	-	-	-
06277-01200X18	reamed hole	200	18H7	42	24	45	-	-	-	-
06277-01200X20	reamed hole	200	20H7	42	24	45	-	-	-	-
06277-01250X22	reamed hole	250	22H7	48	28	51	-	-	-	-
06277-01250X26	reamed hole	250	26H7	48	28	51	-	-	-	-
06277-11080X10	reamed hole with slot	80	10H7	24	16	28	3	11,4	-	-
06277-11080X12	reamed hole with slot	80	12H7	24	16	28	4	13,8	-	-
06277-11100X10	reamed hole with slot	100	10H7	26	17	33	3	11,4	-	-
06277-11100X12	reamed hole with slot	100	12H7	26	17	33	4	13,8	-	-
06277-11125X12	reamed hole with slot	125	12H7	31	18	33,5	4	13,8	-	-
06277-11125X14	reamed hole with slot	125	14H7	31	18	33,5	5	16,3	-	-
06277-11160X14	reamed hole with slot	160	14H7	40	20	39	5	16,3	-	-
06277-11160X16	reamed hole with slot	160	16H7	40	20	39	5	18,3	-	-
06277-11200X18	reamed hole with slot	200	18H7	42	24	45	6	20,8	-	-
06277-11200X20	reamed hole with slot	200	20H7	42	24	45	6	22,8	-	-
06277-11250X22	reamed hole with slot	250	22H7	48	28	51	6	24,8	-	-
06277-11250X26	reamed hole with slot	250	26H7	48	28	51	8	29,3	-	-
06277-21080X10	reamed hole	80	10H7	24	16	28	-	-	ø18 x M6 x 40	-
06277-21080X12	reamed hole	80	12H7	24	16	28	-	-	ø18 x M6 x 40	-
06277-21100X10	reamed hole	100	10H7	26	17	33	-	-	ø18 x M6 x 40	-
06277-21100X12	reamed hole	100	12H7	26	17	33	-	-	ø18 x M6 x 40	-
06277-21125X12	reamed hole	125	12H7	31	18	33,5	-	-	ø21 x M8 x 50	-
06277-21125X14	reamed hole	125	14H7	31	18	33,5	-	-	ø21 x M8 x 50	-
06277-21160X14	reamed hole	160	14H7	40	20	39	-	-	ø26 x M10 x 80	-
06277-21160X16	reamed hole	160	16H7	40	20	39	-	-	ø26 x M10 x 80	-
06277-21200X18	reamed hole	200	18H7	42	24	45	-	-	ø26 x M10 x 80	-
06277-21200X20	reamed hole	200	20H7	42	24	45	-	-	ø26 x M10 x 80	-
06277-21250X22	reamed hole	250	22H7	48	28	51	-	-	ø28 x M12 x 90	-
06277-21250X26	reamed hole	250	26H7	48	28	51	-	-	ø28 x M12 x 90	-
06277-31080X10	reamed hole with slot	80	10H7	24	16	28	3	11,4	ø18 x M6 x 40	-
06277-31080X12	reamed hole with slot	80	12H7	24	16	28	4	13,8	ø18 x M6 x 40	-
06277-31100X10	reamed hole with slot	100	10H7	26	17	33	3	11,4	ø18 x M6 x 40	-
06277-31100X12	reamed hole with slot	100	12H7	26	17	33	4	13,8	ø18 x M6 x 40	-
06277-31125X12	reamed hole with slot	125	12H7	31	18	33,5	4	13,8	ø21 x M8 x 50	-
06277-31125X14	reamed hole with slot	125	14H7	31	18	33,5	5	16,3	ø21 x M8 x 50	-
06277-31160X14	reamed hole with slot	160	14H7	40	20	39	5	16,3	ø26 x M10 x 80	-
06277-31160X16	reamed hole with slot	160	16H7	40	20	39	5	18,3	ø26 x M10 x 80	-
06277-31200X18	reamed hole with slot	200	18H7	42	24	45	6	20,8	ø26 x M10 x 80	-
06277-31200X20	reamed hole with slot	200	20H7	42	24	45	6	22,8	ø26 x M10 x 80	-
06277-31250X22	reamed hole with slot	250	22H7	48	28	51	6	24,8	ø28 x M12 x 90	-
06277-31250X26	reamed hole with slot	250	26H7	48	28	51	8	29,3	ø28 x M12 x 90	-
06277-41080X10	reamed hole	80	10H7	24	16	28	-	-	-	ø18 x M6 x 40
06277-41080X12	reamed hole	80	12H7	24	16	28	-	-	-	ø18 x M6 x 40
06277-41100X10	reamed hole	100	10H7	26	17	33	-	-	-	ø18 x M6 x 40
06277-41100X12	reamed hole	100	12H7	26	17	33	-	-	-	ø18 x M6 x 40
06277-41125X12	reamed hole	125	12H7	31	18	33,5	-	-	-	ø22 x M8 x 56
06277-41125X14	reamed hole	125	14H7	31	18	33,5	-	-	-	ø22 x M8 x 56
06277-41160X14	reamed hole	160	14H7	40	20	39	-	-	-	ø26 x M10 x 80
06277-41160X16	reamed hole	160	16H7	40	20	39	-	-	-	ø26 x M10 x 80
06277-41200X18	reamed hole	200	18H7	42	24	45	-	-	-	ø26 x M10 x 80
06277-41200X20	reamed hole	200	20H7	42	24	45	-	-	-	ø26 x M10 x 80
06277-41250X22	reamed hole	250	22H7	48	28	51	-	-	-	ø31 x M12 x 102
06277-41250X26	reamed hole	250	26H7	48	28	51	-	-	-	ø31 x M12 x 102
06277-51080X10	reamed hole with slot	80	10H7	24	16	28	3	11,4	-	ø18 x M6 x 40
06277-51080X12	reamed hole with slot	80	12H7	24	16	28	4	13,8	-	ø18 x M6 x 40
06277-51100X10	reamed hole with slot	100	10H7	26	17	33	3	11,4	-	ø18 x M6 x 40
06277-51100X12	reamed hole with slot	100	12H7	26	17	33	4	13,8	-	ø18 x M6 x 40
06277-51125X12	reamed hole with slot	125	12H7	31	18	33,5	4	13,8	-	ø22 x M8 x 56
06277-51125X14	reamed hole with slot	125	14H7	31	18	33,5	5	16,3	-	ø22 x M8 x 56
06277-51160X14	reamed hole with slot	160	14H7	40	20	39	5	16,3	-	ø26 x M10 x 80
06277-51160X16	reamed hole with slot	160	16H7	40	20	39	5	18,3	-	ø26 x M10 x 80

## Overview of items

Order No.	Version 1	D1	D2	D3	L1	L3	B3	T	Fixed cylinder grip	Revolving cylinder grip
06277-51200X18	reamed hole with slot	200	18H7	42	24	45	6	20,8	-	ø26 x M10 x 80
06277-51200X20	reamed hole with slot	200	20H7	42	24	45	6	22,8	-	ø26 x M10 x 80
06277-51250X22	reamed hole with slot	250	22H7	48	28	51	6	24,8	-	ø31 x M12 x 102
06277-51250X26	reamed hole with slot	250	26H7	48	28	51	8	29,3	-	ø31 x M12 x 102