

Item description/product images

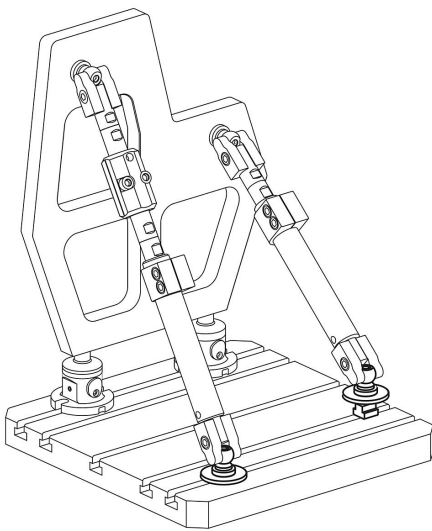
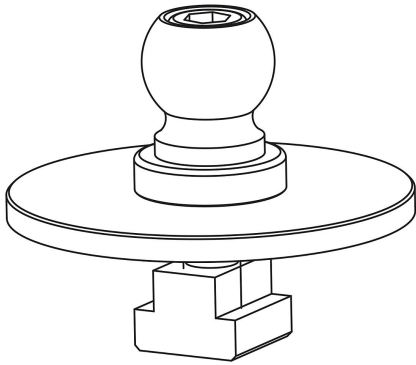


Description

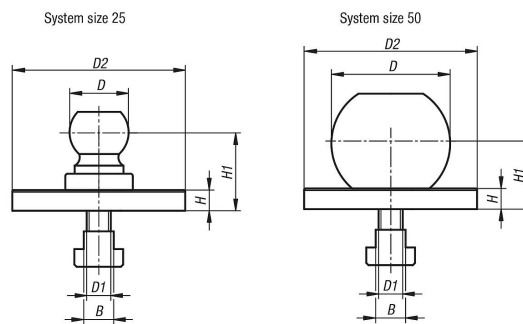
Material:
Steel.

Note:
These fastening sets for T-slots are for adapting to machine tables with T-slots.

The clamping balls can be exchanged between the two system sizes.



Drawings



Overview of items

Order No.	Size	B	D	D1	D2	H	H1
02404-2514	25	14	25,4	M10	78	10	35

Overview of items

Order No.	Size	B	D	D1	D2	H	H1
02404-2518	25	18	25,4	M10	78	10	35
02404-2522	25	22	25,4	M10	78	10	35
02404-2528	25	28	25,4	M10	78	10	35
02404-5014	50	14	50	M10	78	10	30
02404-5018	50	18	50	M10	78	10	30
02404-5022	50	22	50	M10	78	10	30
02404-5028	50	28	50	M10	78	10	30